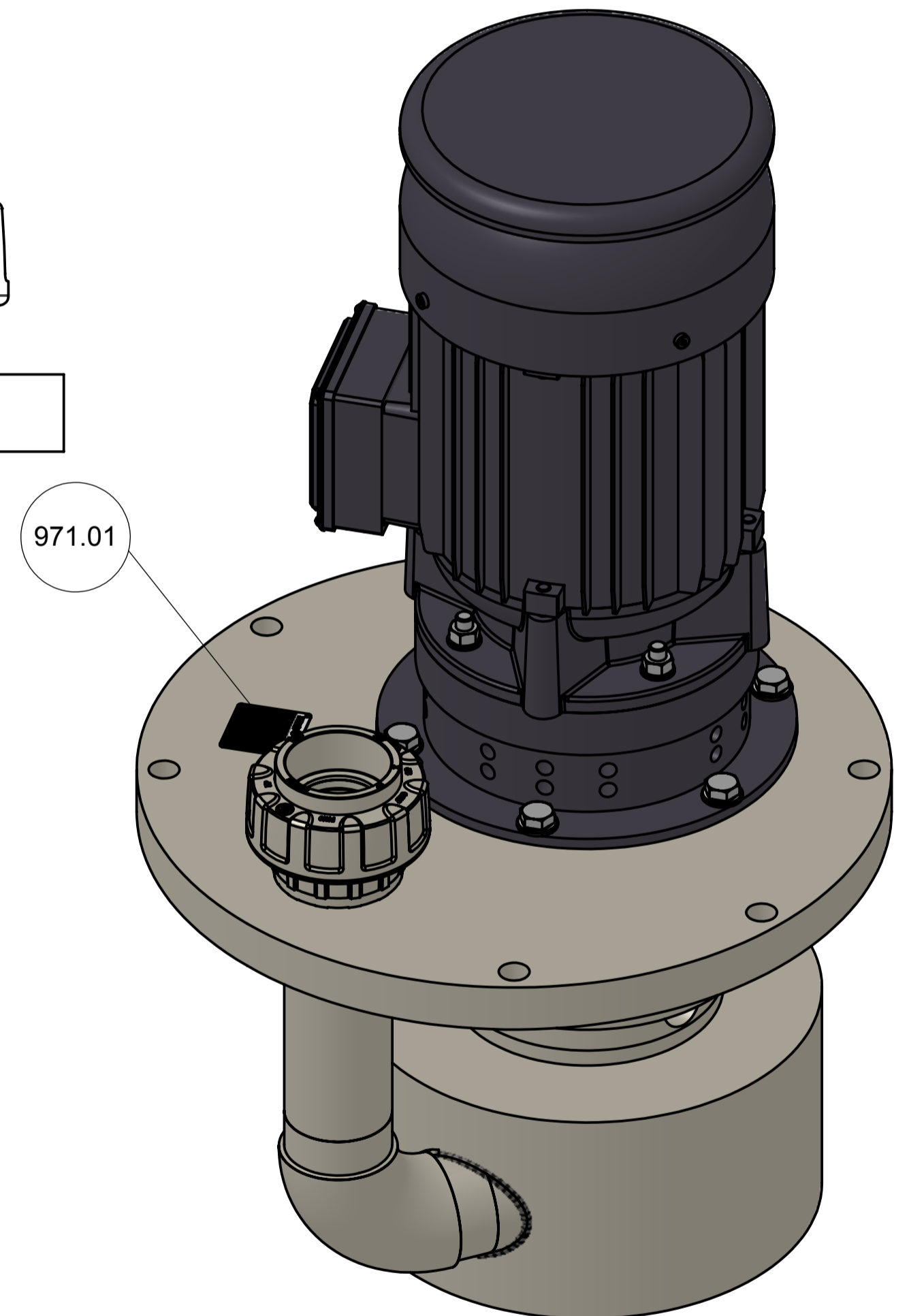
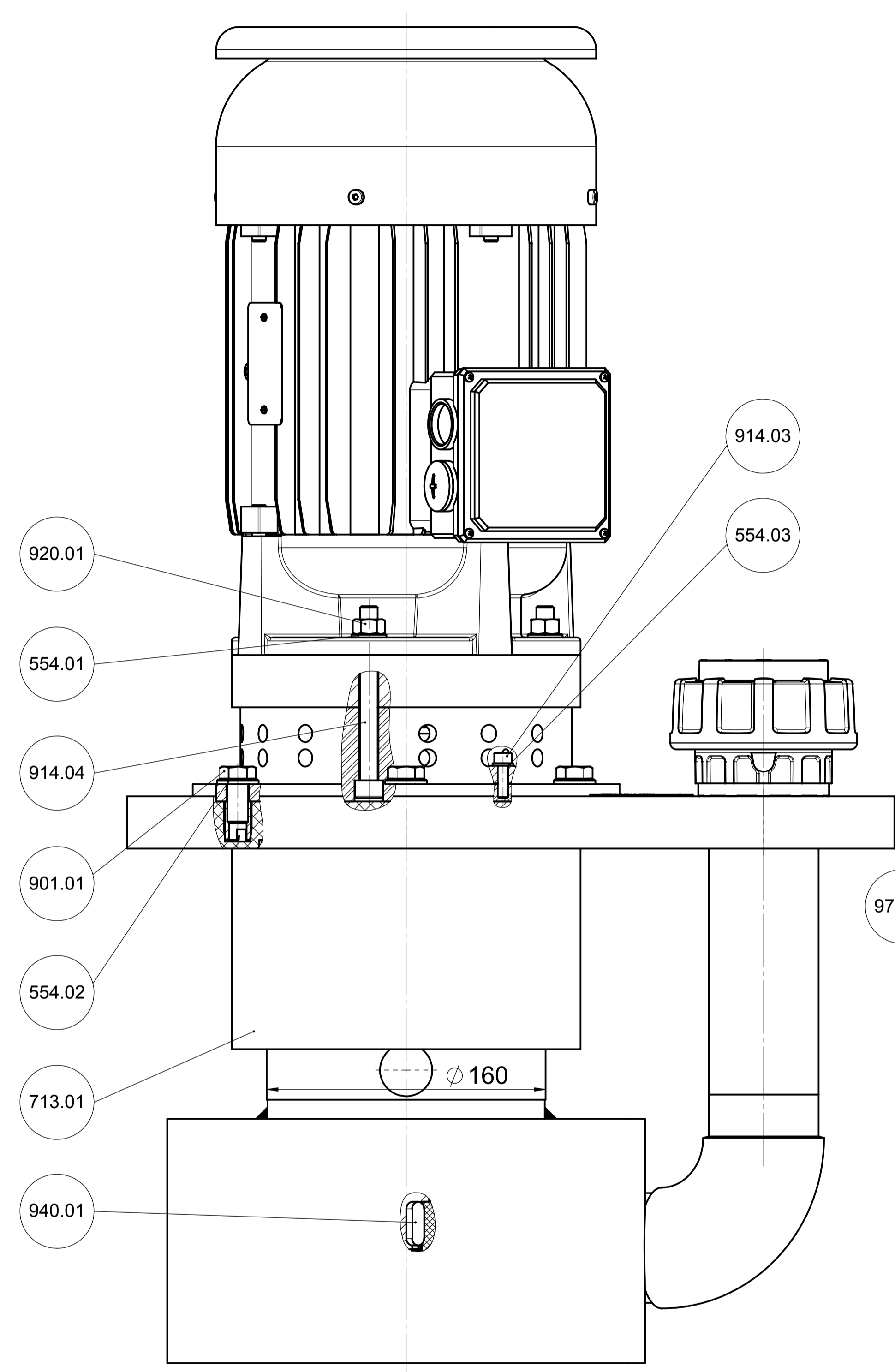
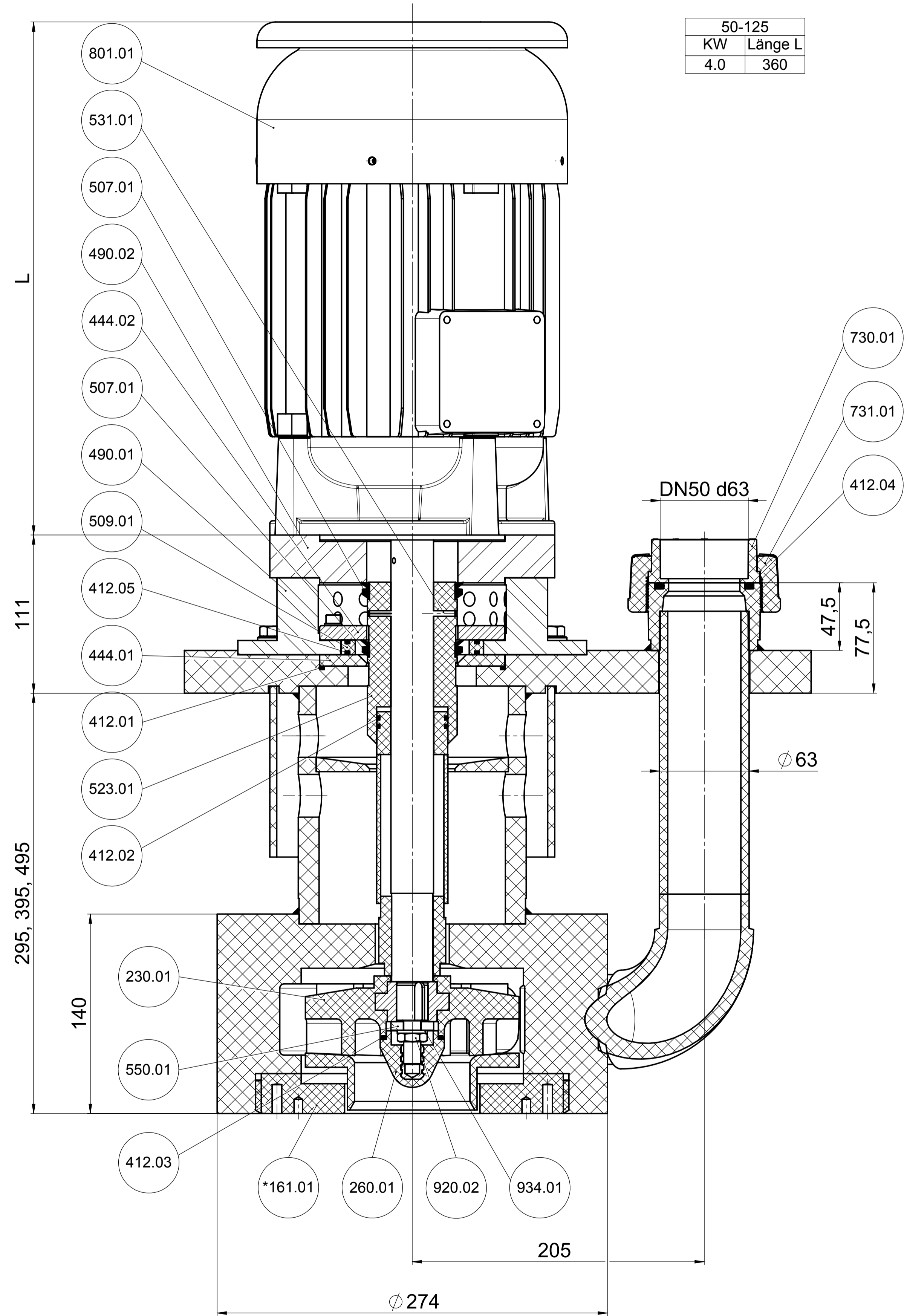


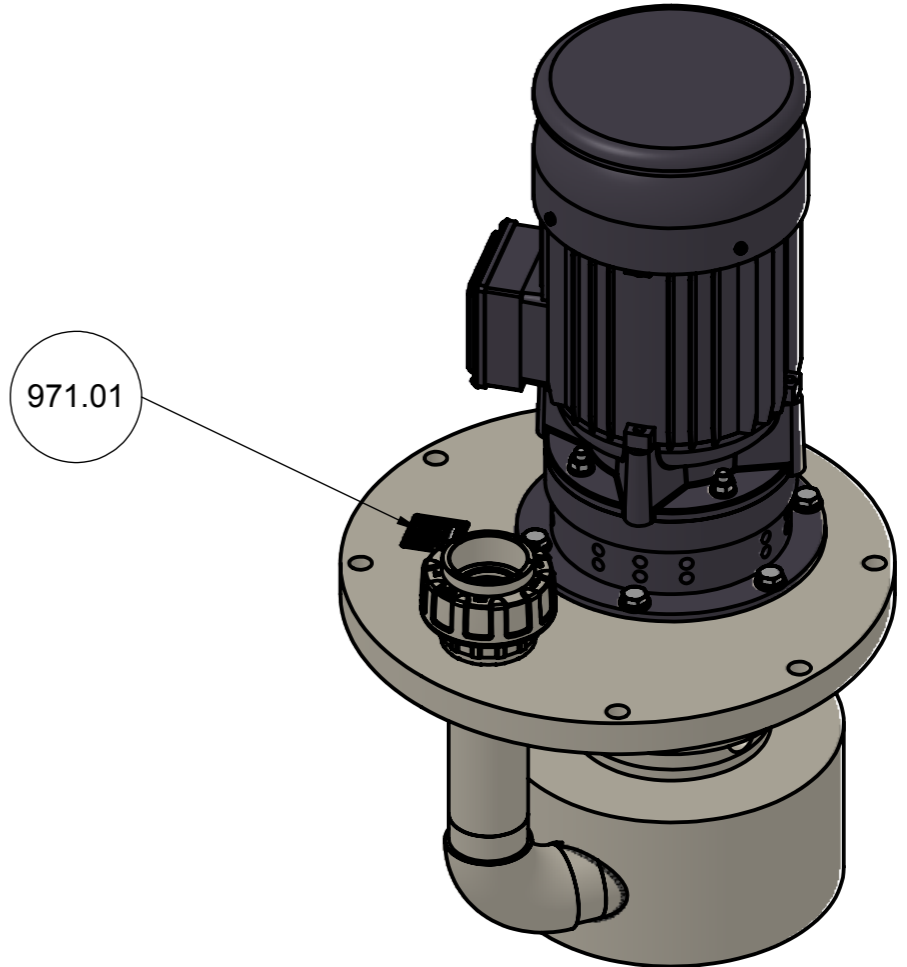
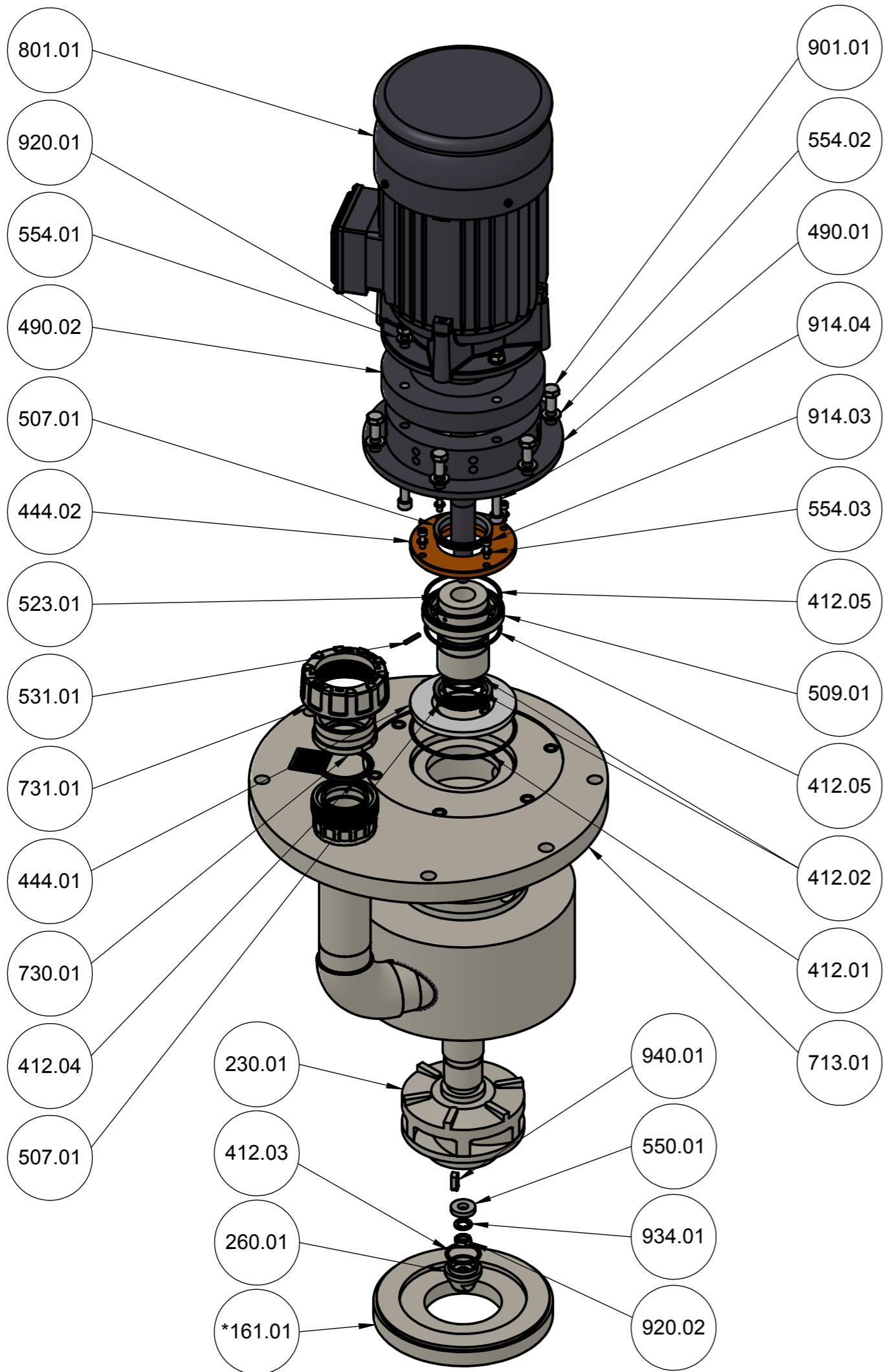
50-125	
KW	Länge L
4.0	360



This is a drawing derivation of a 3D model. Changes must be carried out in the 3D model.

\*nicht geeignet für Saugsieb oder Saugrohrverlängerung  
not suitable for suction strainer or suction extension

external drawing number:	Divergences for dimension without tolerances DIN ISO 2768-mK DIN 16901		part name:	ETLB-S 50-125 4kW
CAD drawing	Copyright reserved	date:	name:	
designed:		checked:	06.03.19	
<b>Stübbe</b> Partner for Solutions		ASV Stübbe GmbH & Co. KG Postfach 1765 D-32591 Vlotho	ident no.:	168569
deduced from:	filename:	168569	index:	a
			format:	A1
			sheet:	1
			2 sheets:	2



Set	Anzahl	Pos.
Set 1	1	801.01
Set 2	1	554.01 / 914.04 / 920.01
Set 3	1	490.01 / 490.02 / 554.02 / 901.01
Set 4	1	412.01 / 412.05 / 444.01 / 444.02 / 509.01 / 554.03 / 914.03
Set 5	1	713.01
Set 6	1	412.02 / 507.01 / 523.01 / 531.01
Set 7	1	230.01 / 412.02
Set 8	1	260.01 / 412.03 / 550.01 / 920.02 / 934.01 / 940.01
Set 9	1	412.04 / 730.01 / 731.01
*Set 10	1	161.01

This is a drawing derivation of a 3D model. Changes must be carried out in the 3D model.

\*nicht geeignet für Saugsieb oder Saugrohrverlängerung  
not suitable for suction strainer or suction extension

external drawing number:				
CAD drawing	Copyright reserved			
	date:	name:	part name:	
designed:			ETLB-S 50-125 4kW	
checked:	06.03.19			
<b>Stübbe</b> Partner for Solutions		ASV Stübbe GmbH & Co.KG Postfach 1765 D-32591 Vlotho	ident no.:	index:
deduced from:		filename: 168569	168569	a
			format:	sheet:
			A3	2
			2 sheets	