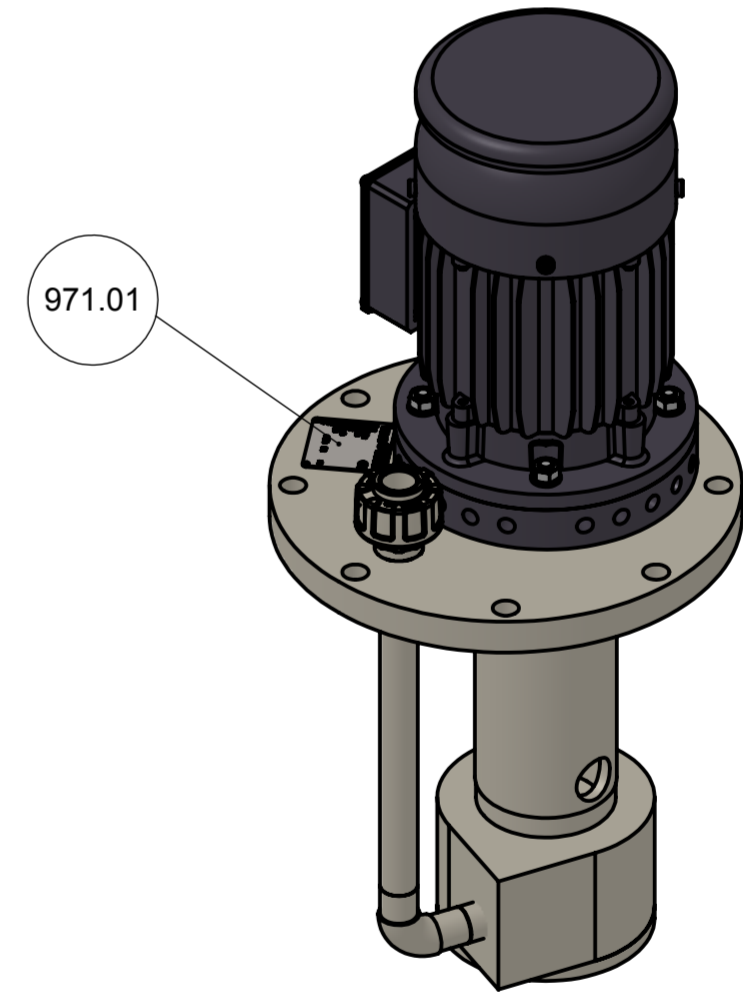
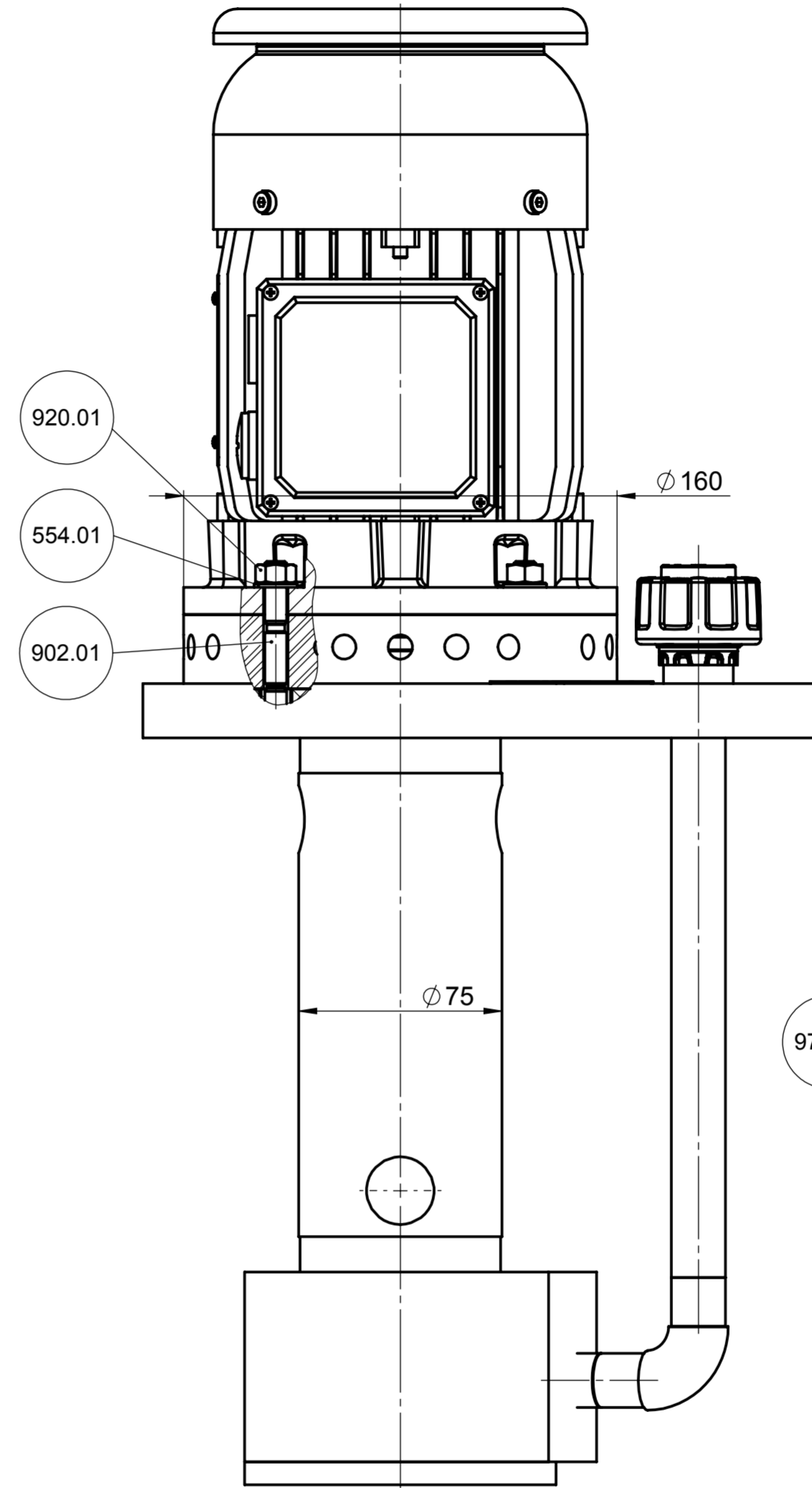
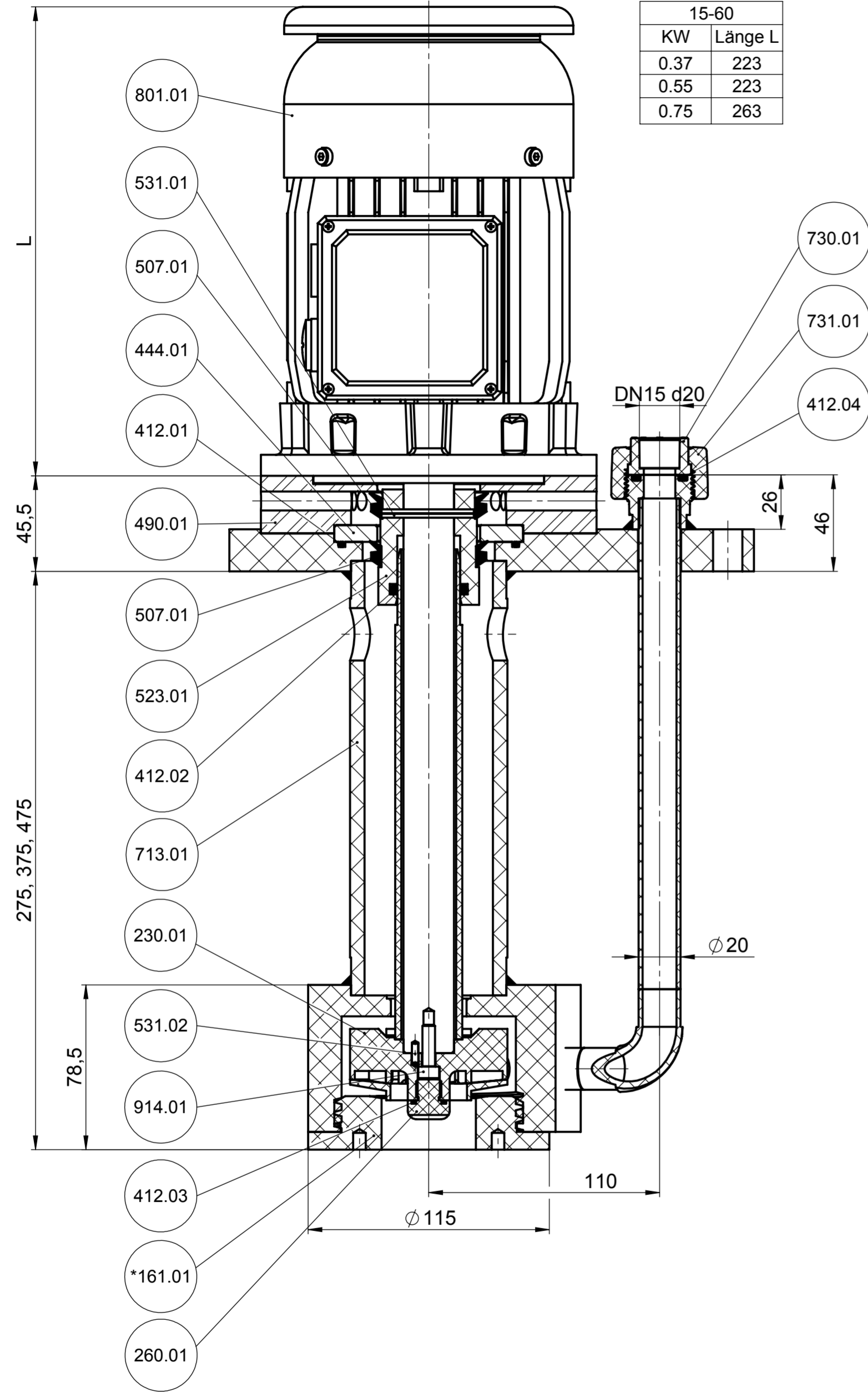


A-A

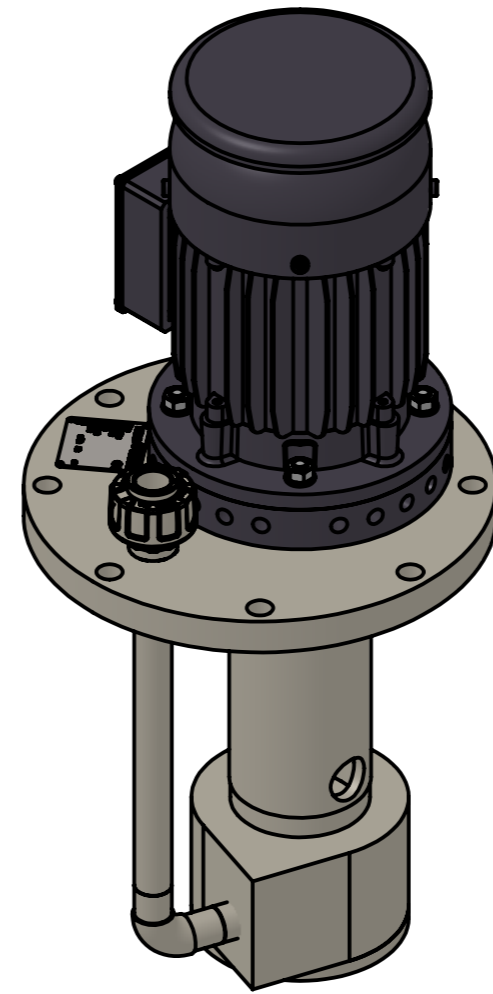
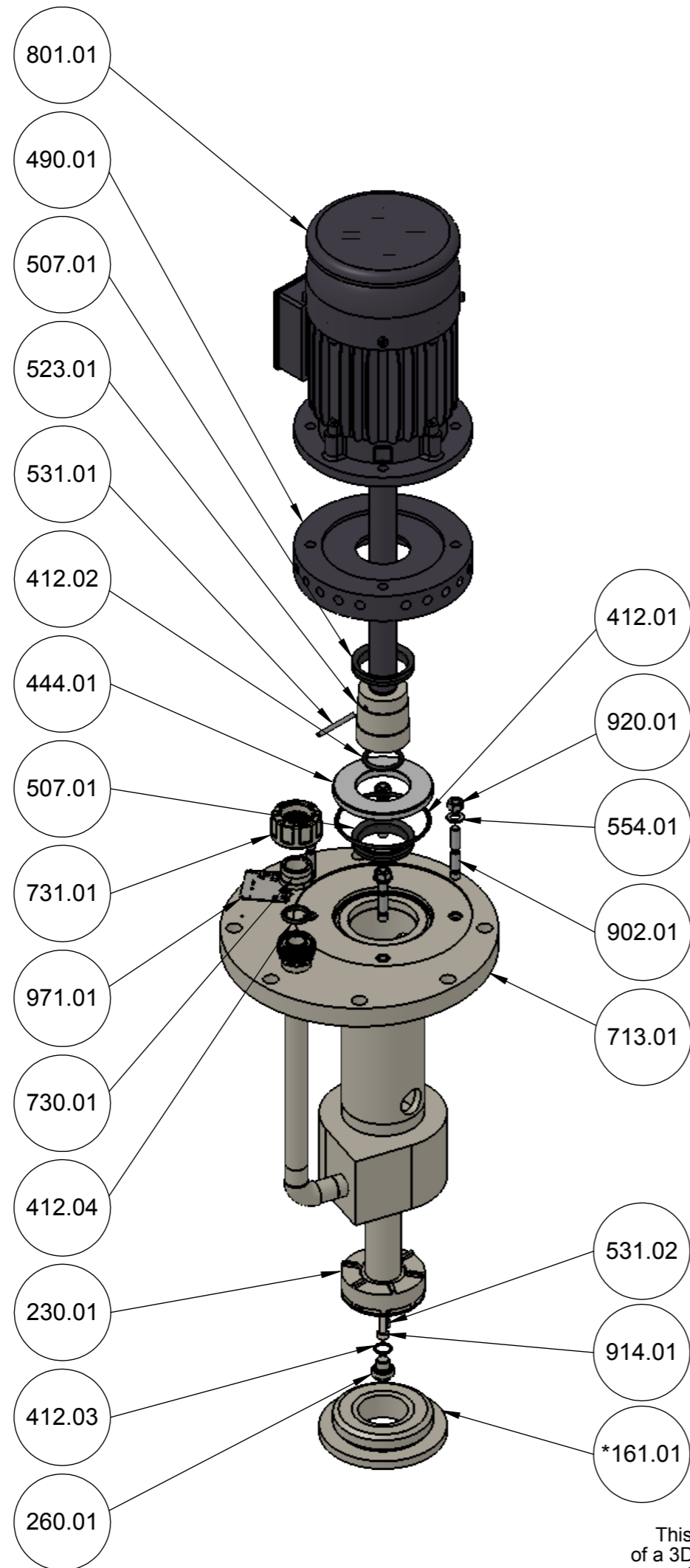
15-60	
KW	Länge L
0.37	223
0.55	223
0.75	263



*nicht geeignet für Saugsieb
oder Saugrohrverlängerung
not suitable for suction strainer
or suction extension

This is a drawing derivation
of a 3D model. Changes must be
carried out in the 3D model.

external drawing number:										8.436	
CAD drawing	Copyright reserved	date:	name:	part name:		ETLB-S 15-60					
designed:		checked:	07.03.19								
deduced from:		filename: 168561		ASV Stübbe GmbH & Co.KG Postfach 1765 D-32591 Vlotho		ident no.:	168561	index:	b	format:	A2
										sheet:	1
										2 sheets	



Set	Anzahl	Pos.
Set 1	1	801.01
Set 2	1	554.01 / 902.01 / 920.01
Set 3	1	490.01
Set 4	1	412.01 / 444.01
Set 5	1	713.01
Set 6	1	412.02 / 507.01 / 523.01 / 531.01
Set 7	1	230.01 / 412.02 / 531.02
Set 8	1	260.01 / 412.03 / 914.01
Set 9	1	412.04 / 730.01 / 731.01
*Set 10	1	161.01

*nicht geeignet für Saugsieb
oder Saugrohrverlängerung
not suitable for suction strainer
or suction extension

This is a drawing derivation
of a 3D model. Changes must be
carried out in the 3D model.

external drawing number:									
CAD drawing	Copyright reserved					8.436			
	date:		part name:	ETLB-S 15-60					
designed:	07.08.17								
ASV Stübbe GmbH & Co.KG Postfach 1765 D-32591 Vlotho		ident no.:	168561	index:	b	format:	A3	sheet:	2
deduced from:		filename: 168561						2 sheets	