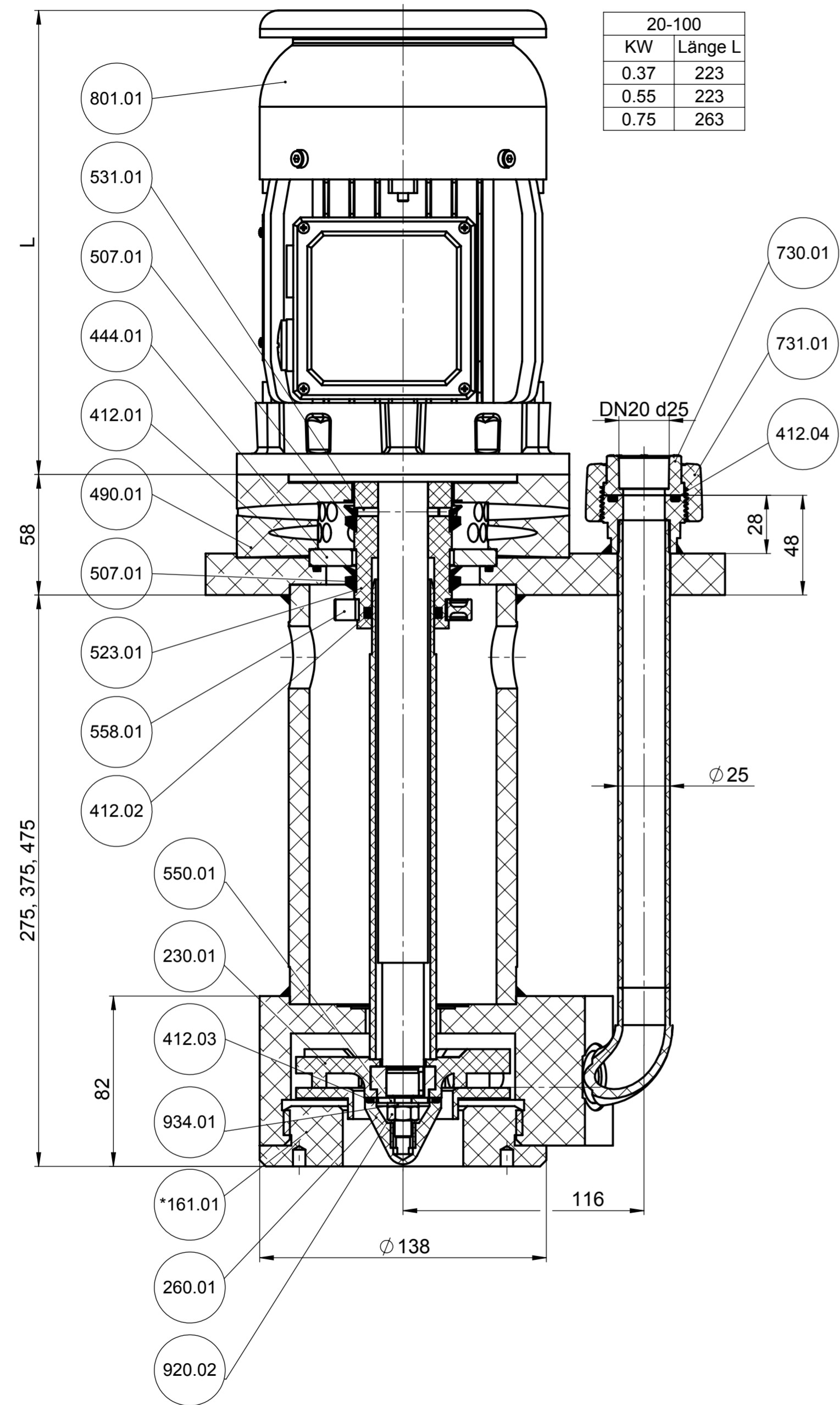
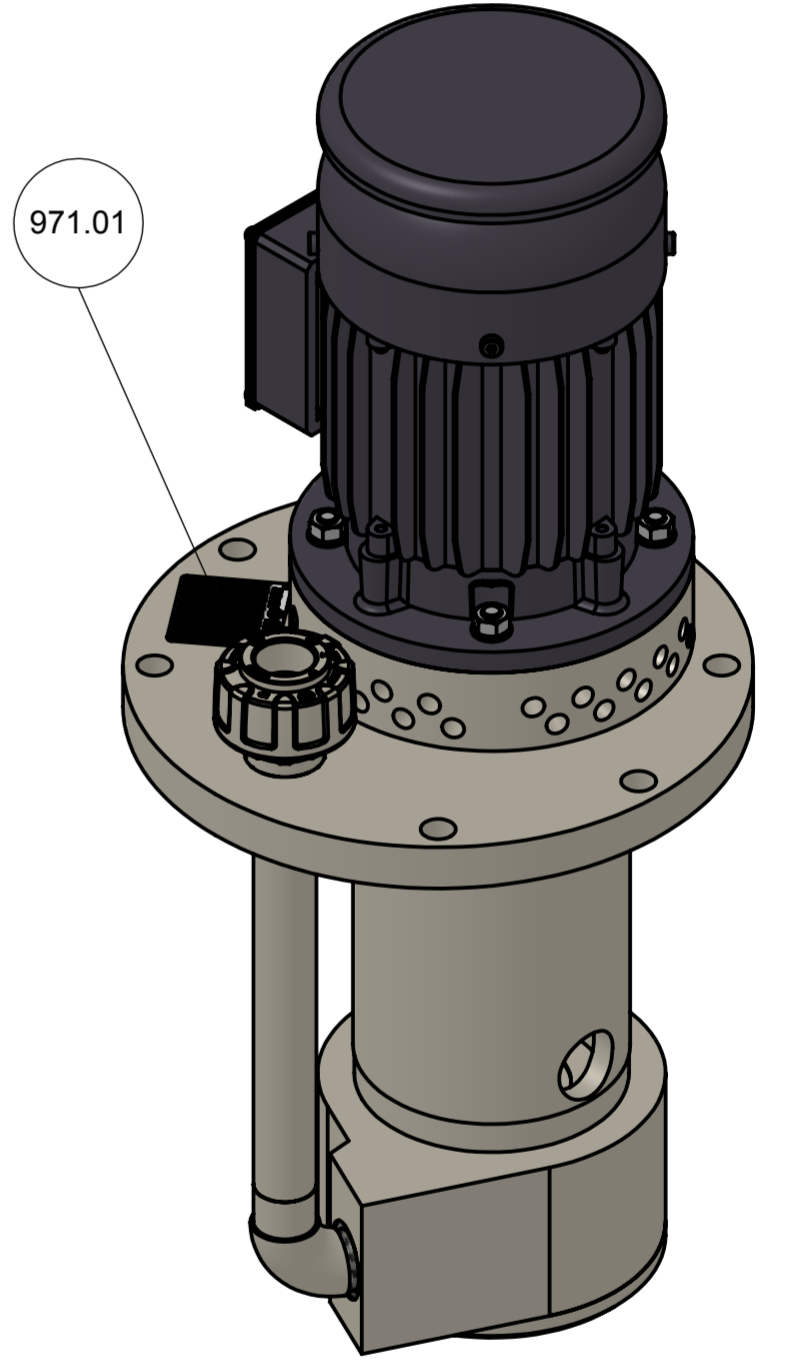
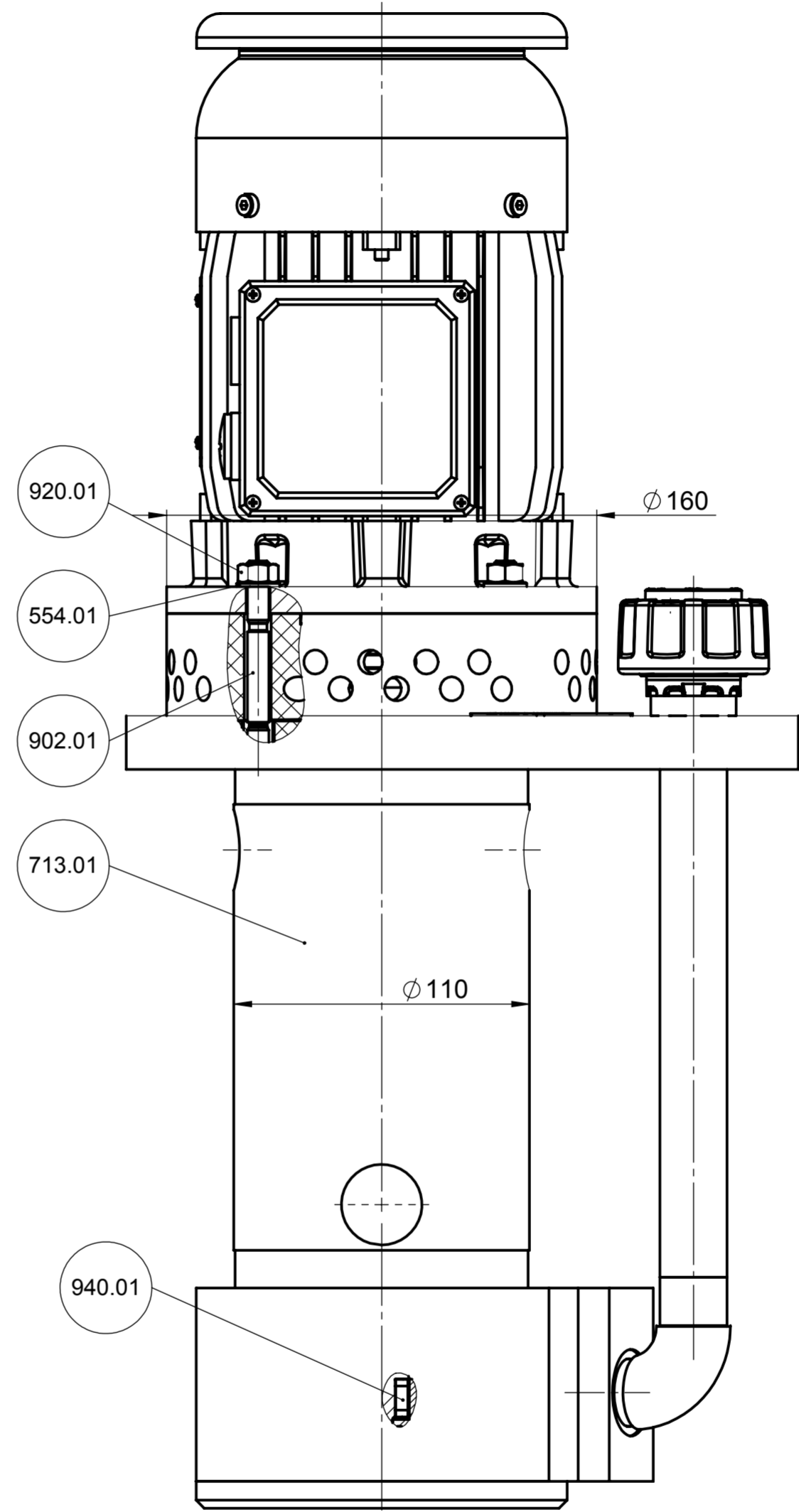


Respect protective note according to DIN ISO 16016



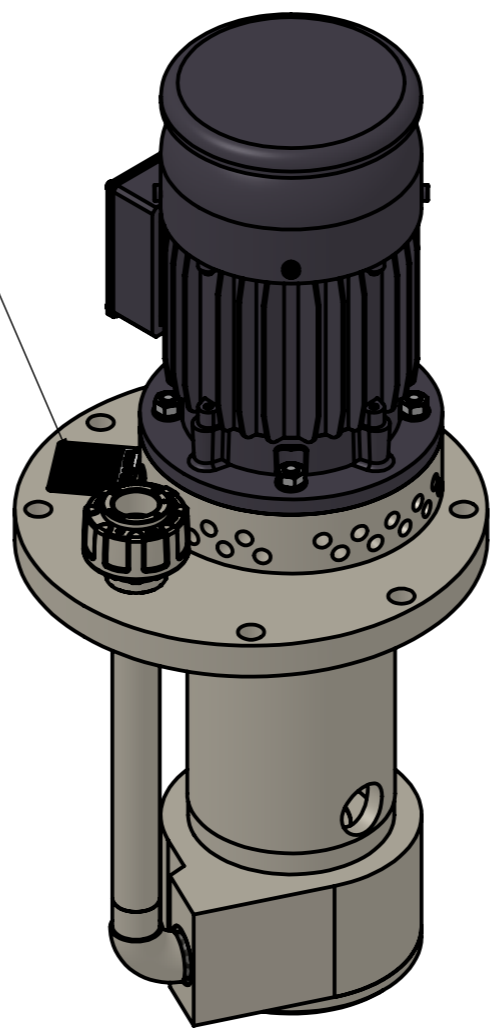
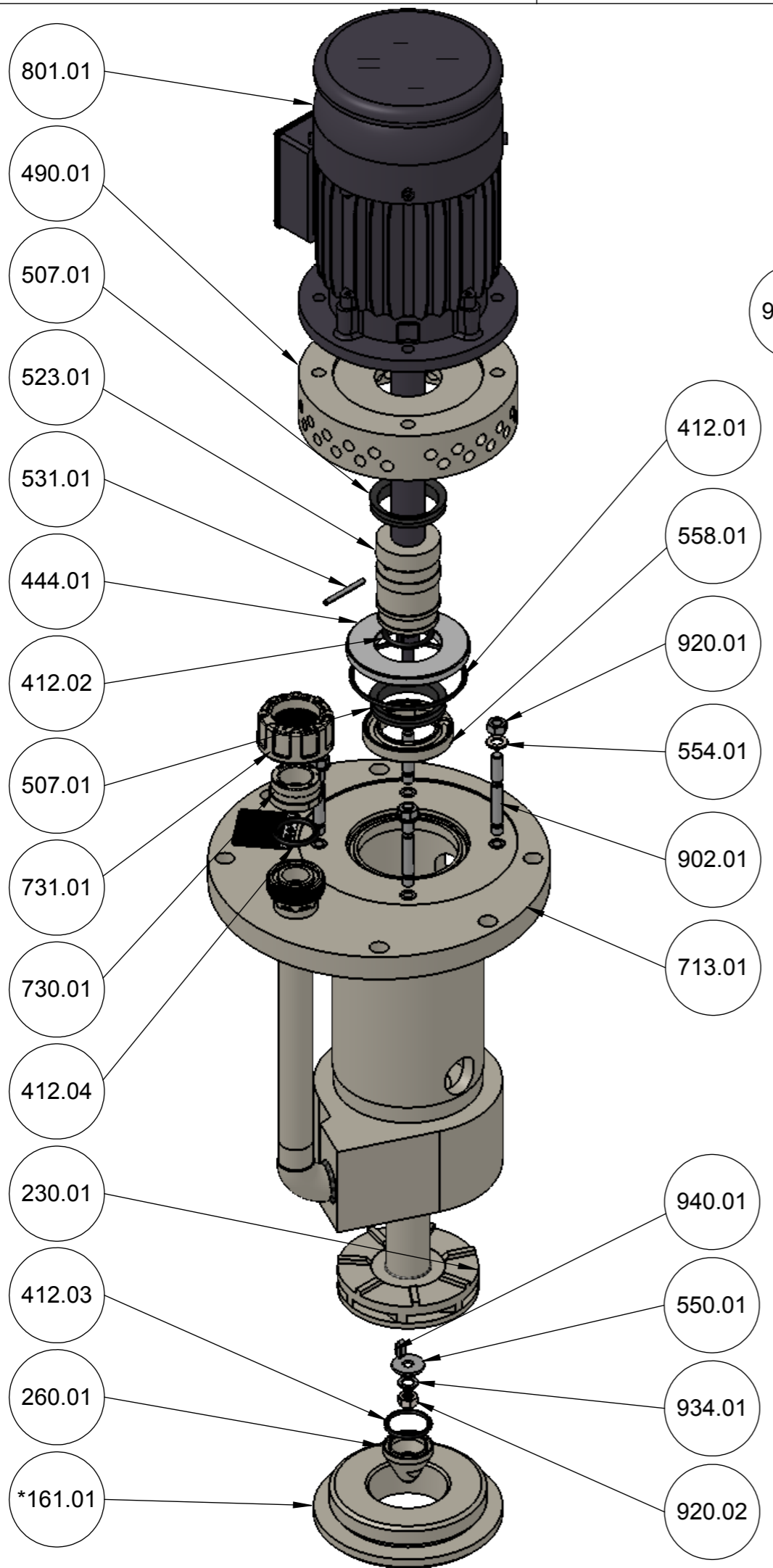
20-100	
KW	Länge L
0.37	223
0.55	223
0.75	263



*nicht geeignet für Saugsieb
oder Saugrohrverlängerung
not suitable for suction strainer
or suction extension

This is a drawing derivation
of a 3D model. Changes must be
carried out in the 3D model.


external drawing number:										8.543	
CAD drawing	Copyright reserved	date:	name:	part name:		ETLB-S 20-100					
designed:		checked:	07.03.19								
Stübbe Partner for Solutions		ASV Stübbe GmbH & Co.KG Postfach 1765 D-32591 Vlotho		ident no.:	168562	index:	b	format:	A2	sheet:	1
deduced from:		filename: 168562								2 sheets	



Set	Anzahl	Pos.
Set 1	1	801.01
Set 2	1	554.01 / 902.01 / 920.01
Set 3	1	490.01
Set 4	1	412.01 / 444.01
Set 5	1	713.01
Set 6	1	412.02 / 507.01 / 523.01 / 531.01 / 558.01
Set 7	1	230.01 / 412.02
Set 8	1	260.01 / 412.03 / 550.01 / 920.02 / 934.01 / 940.01
Set 9	1	412.04 / 730.01 / 731.01
Set 10	1	161.01

*nicht geeignet für Saugsieb
oder Saugrohrverlängerung
not suitable for suction strainer
or suction extension

This is a drawing derivation
of a 3D model. Changes must be
carried out in the 3D model.

external drawing number:						8.543
CAD drawing	Copyright reserved					
	date:	name:	part name:			
designed:			ETLB-S 20-100			
checked:	07.03.19					
 ASV Stübbe GmbH & Co.KG Postfach 1765 D-32591 Vlotho		ident no.:	index:	format:	sheet:	
		168562	b	A3	2	
deduced from:		filename: 168562				2 sheets