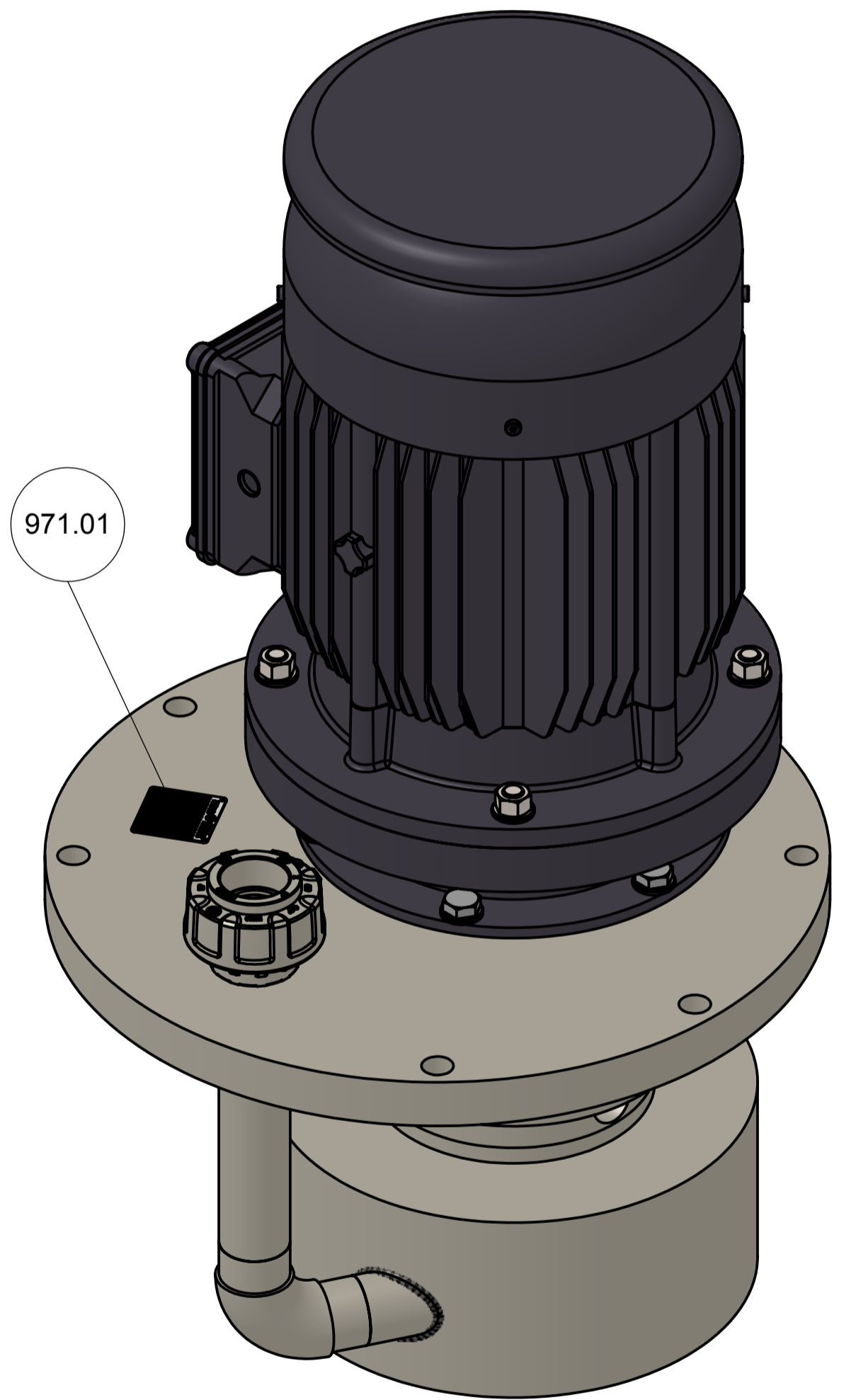
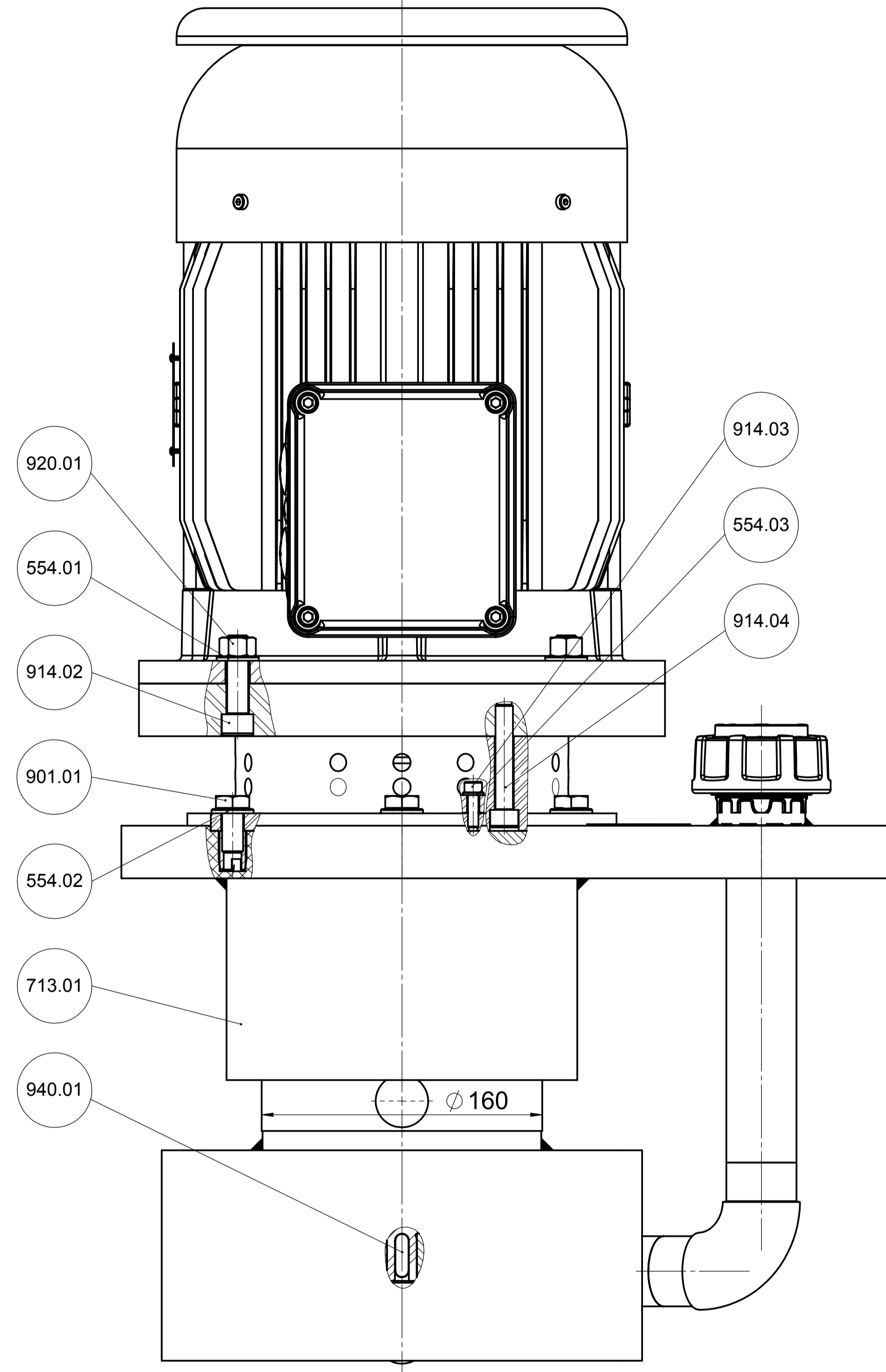
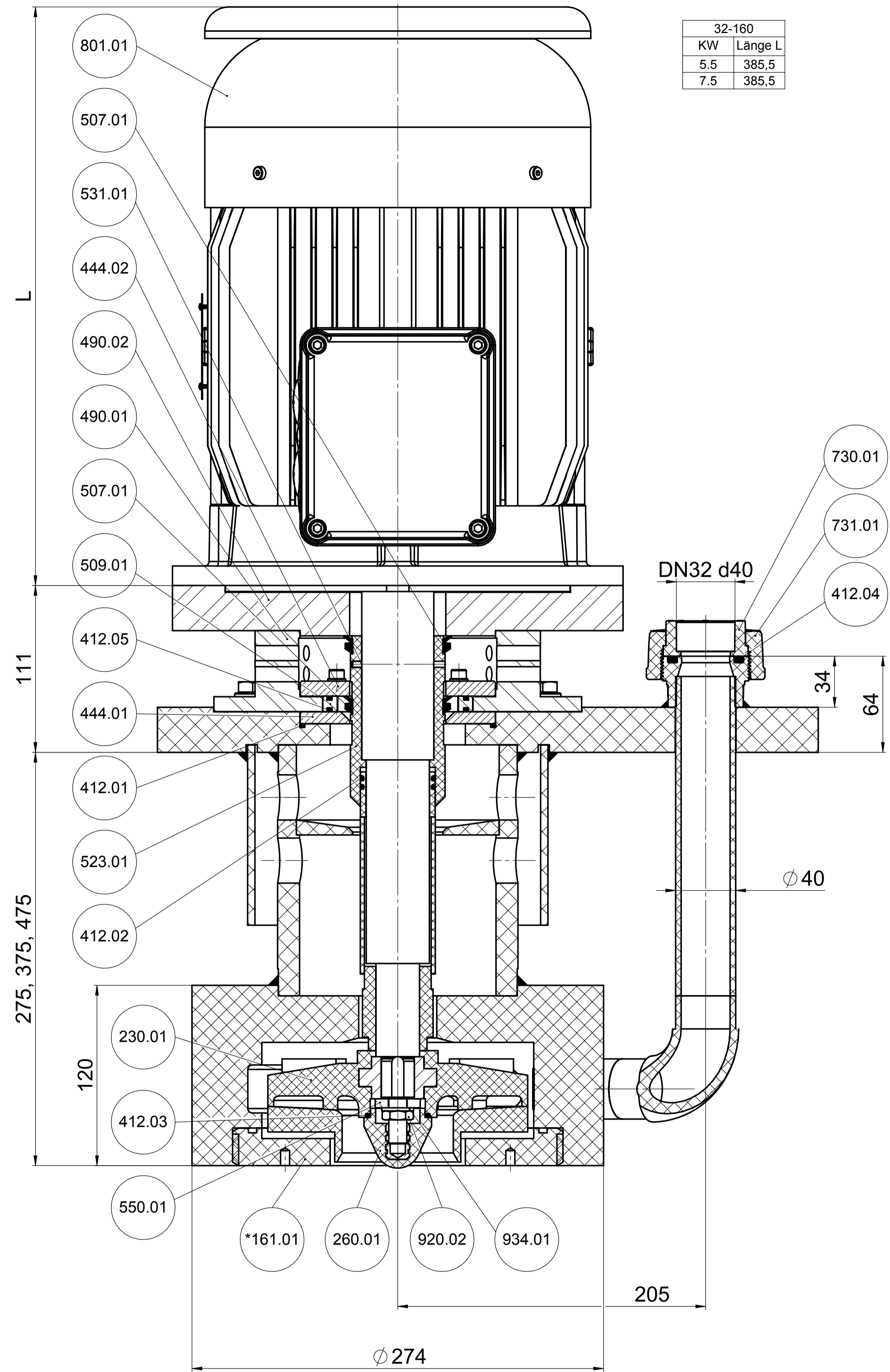


32-160	
KW	Länge L
5.5	385,5
7.5	385,5

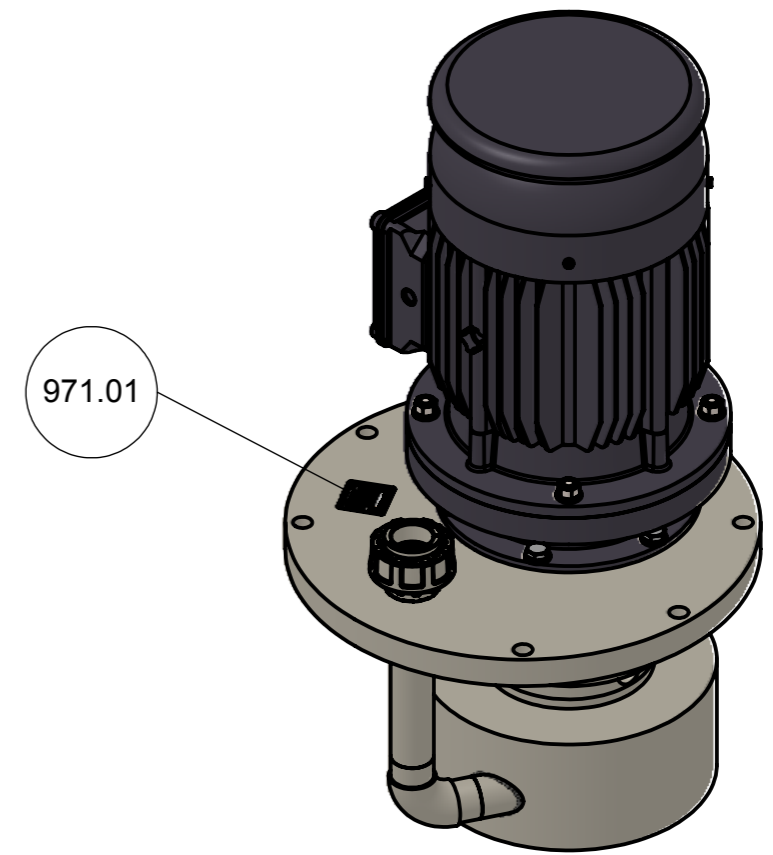
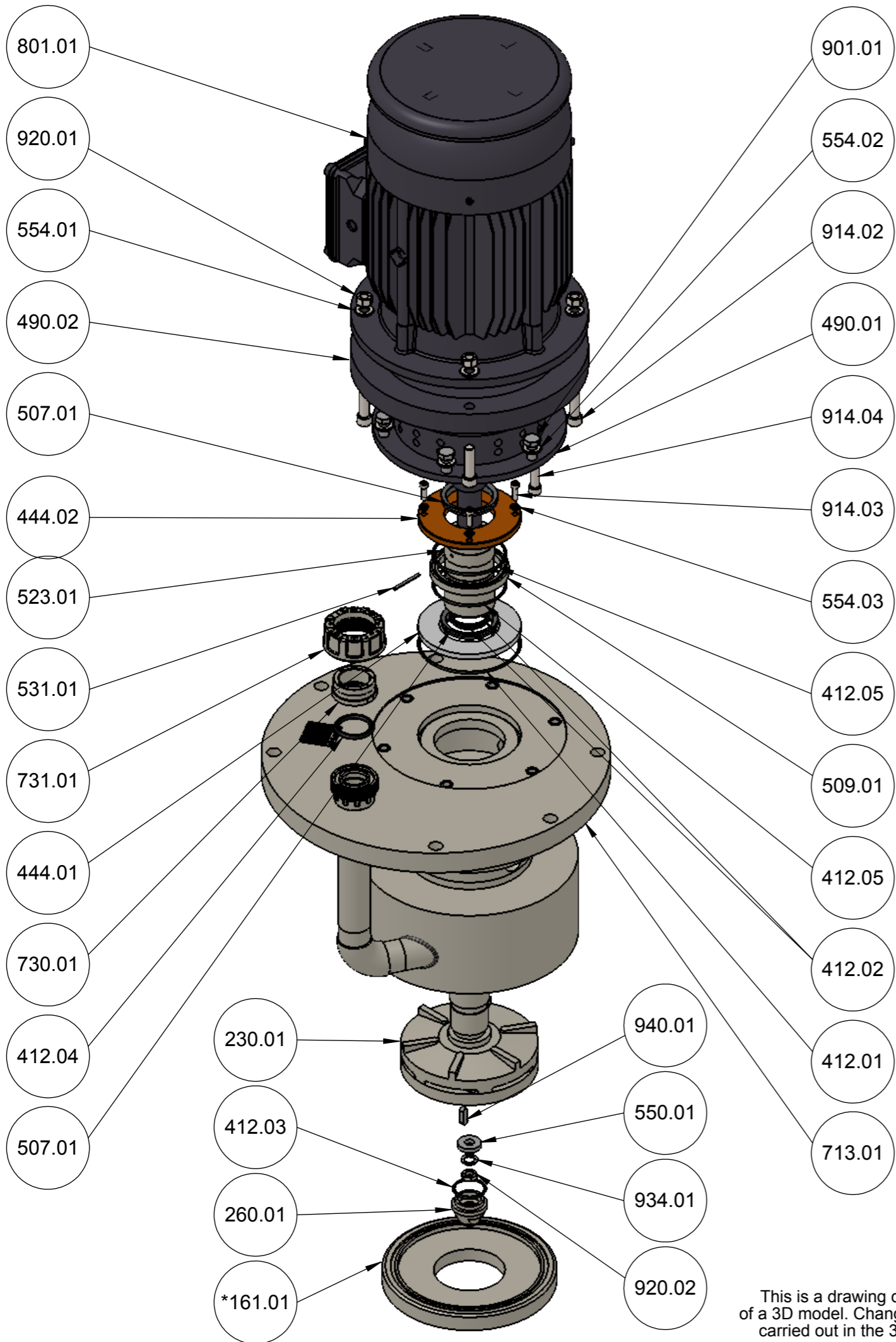


*nicht geeignet für Saugsieb
oder Saugrohrverlängerung
not suitable for suction strainer
or suction extension

This is a drawing derivation
of a 3D model. Changes must be
carried out in the 3D model.

external drawing number:				
CAD drawing	Copyright reserved			
designed:	date:	name:	part name:	
checked:	04.02.19		ETLB-S 32-160 5,5/7,5kW	

Stübbe Partner for Solutions	ASV Stübbe GmbH & Co.KG Postfach 1765 D-32591 Viethe	ident no.:	168571	index:	a	format:	A1	sheet:	1
	deduced from:	filename: ETLB-S 32-160 5,5-7,5kW						2 sheets	



Set	Anzahl	Pos.
Set 1	1	801.01
Set 2	1	554.01 / 914.02 / 914.04 / 920.01
Set 3	1	490.01 / 490.02 / 554.02 / 901.01
Set 4	1	412.01 / 412.05 / 444.01 / 444.02 / 509.01 / 554.03 / 914.03
Set 5	1	713.01
Set 6	1	412.02 / 507.01 / 523.01 / 531.01
Set 7	1	230.01 / 412.02
Set 8	1	260.01 / 412.03 / 550.01 / 920.02 / 934.01 / 940.01
Set 9	1	412.04 / 730.01 / 731.01
*Set 10	1	161.01

*nicht geeignet für Saugsieb
oder Saugrohrverlängerung
not suitable for suction strainer
or suction extension

This is a drawing derivation of a 3D model. Changes must be carried out in the 3D model.

external drawing number:							
CAD drawing	Copyright reserved						
date:				part name:			
designed:				ETLB-S 32-160 5,5/7,5kW			
checked: 04.02.19							
ASV Stübbe Partner for Solutions		ASV Stübbe GmbH & Co.KG Postfach 1765 D-32591 Vlotho		ident no.:	168571	index:	a
deduced from:		filename: ETLB-S 32-160 5,5-7,5kW		format:	A3	sheet:	2
						2 sheets	