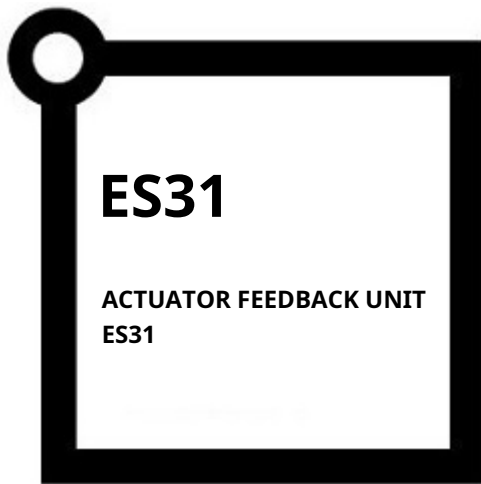


ACTUATOR FEEDBACK UNIT ES31 DATASHEET

Characteristics

- programmable, compact feedback unit
- clearly visible LED color lights
- contact free, magnetic measuring principle
- Signal output 2 positions OPEN / CLOSE
- Easy installation and commissioning (plug and play)
- for all pneumatic STÜBBE diaphragm valves up to DN50



**Use**

- For all pneumatic STÜBBE diaphragm valves up to DN50
MVB, MV308, MV309, MV310

Type of protection

- IP67

Material

- Housing: ABS
- Bonnet: PA

Material Dichtelement

- EPDM

Screws

- Stainless steel screws (1.4301)

Electrical connection

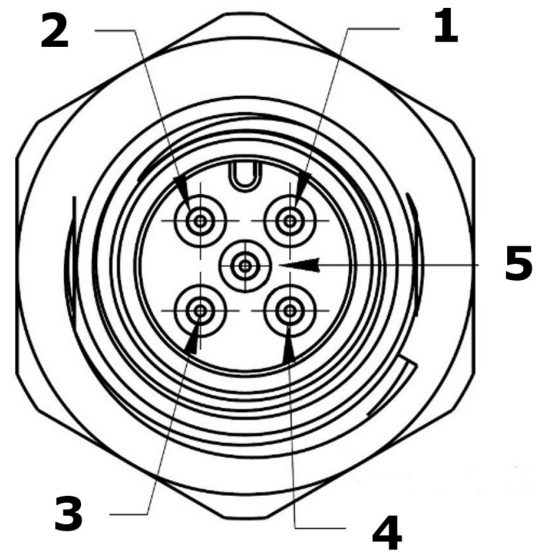
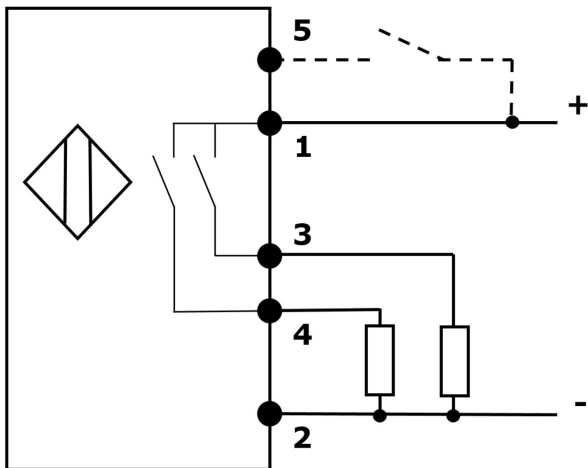
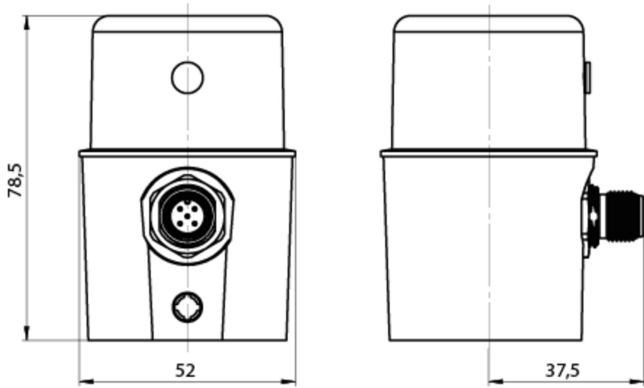
- M12 male connector 5-pole A-coded

Accessories

- M12 socket 5-poles A-coded

Technical Data

| Designation | Unit | Value |
|------------------------------|--------------------------------------------|------------------------------------|
| Operation Voltage | V DC | 18 - 36 |
| feedback | sensoroutput PNP for valve open and closed | |
| output current signal open | mA | max. 200 (short circuit protected) |
| output current signal closed | mA | max. 200 (short circuit protected) |
| idle current | mA | <20 |
| LED indication | LED green, LED red | |
| protection class | IP 67 | |
| ambient temperature | °C | -20 - 60 |



| No. | Designation |
|-----|-----------------|
| 1 | V+ |
| 2 | GND |
| 3 | Signal green |
| 4 | Signal red |
| 5 | Start configure |