

Flow data sensor ZE 3075

Reed chain



Product description

The flow data sensor ZE 3075 is used as a transducer for the ASV flowmeter DFM 165 to DFM 200 and fitted to the dovetail guide.

The 4 ... 20mA output signal is in proportion to the height of the magnetic float.

Function description

The flow data sensor ZE 3075 emits a 4 ... 20mA signal generated by the height of the float in the flowmeter (DFM).

The unit comprises a reed chain, the respective evaluation and implementation.

The float of the flowmeters is fitted with a permanent magnet.

The float travels along the reed chain by the flow of the medium.

The individual contacts of the reed chain are actuated in accordance with the height of the float.

The measured values are emitted as a 2-wire current signal 4 ... 20mA. This signal can be directly further processed.

Actuation

Actuation is through the magnet in the float of the ASV flowmeter.

Mounting direction

vertical installation, ASV logo on top.

Connection cable

The unit is connected with a commercially available unshielded cable.

Where electro-magnetic interference above the EN 61326 test values for industrial areas is to be expected, we recommend the use of a shielded cable.

Technical data

Measuring value

- Flow

Measuring principle

- Reed chain
- Trigger element Magnetic float

CE sign

- DIN EN 61326-1, DIN EN 55022/B

Type of protection

- with IP 65 plug

Voltage supply

- $U_{in} = 18 \dots 30 \text{ V DC}$

Connection cable

- Cable outside diameter: 6 ... 8mm
- Nominal cross-section: max. 0.75 mm²

Housing material

- ABS

Output signal

- 2-wire technology
- 4 ... 20 mA (flow)
- Output can be calibrated/set

Measuring length:

- 114 mm

Resolution

- 3.5 mm

Ambient temperature

- -20 ... 70 °C

Process temperature

- 0 ... 70 °C

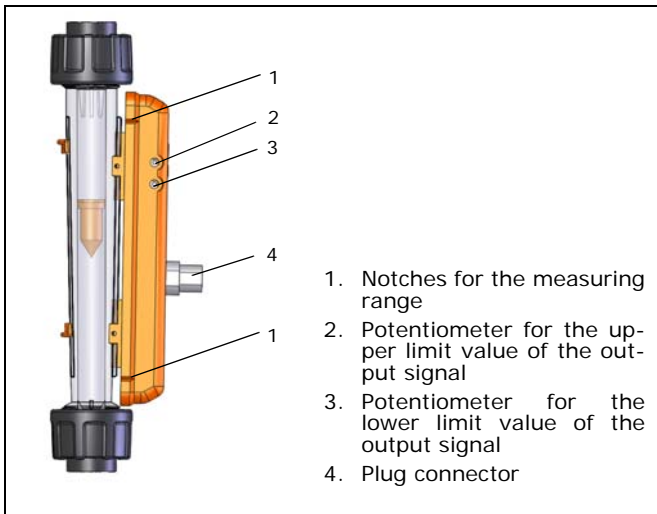
Ambient pressure

- atmospheric (0.8 ... 1.1 bar)

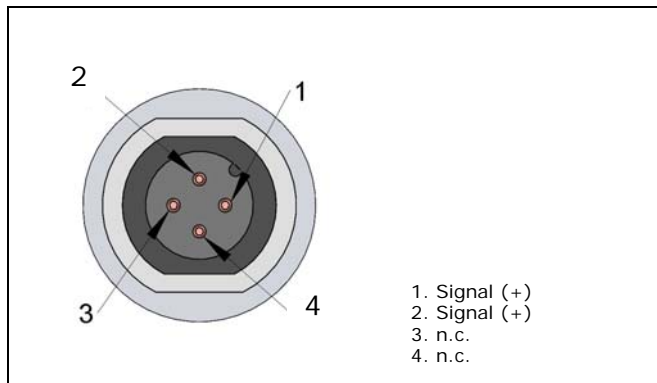
Relative humidity

- 20 ... 85 %

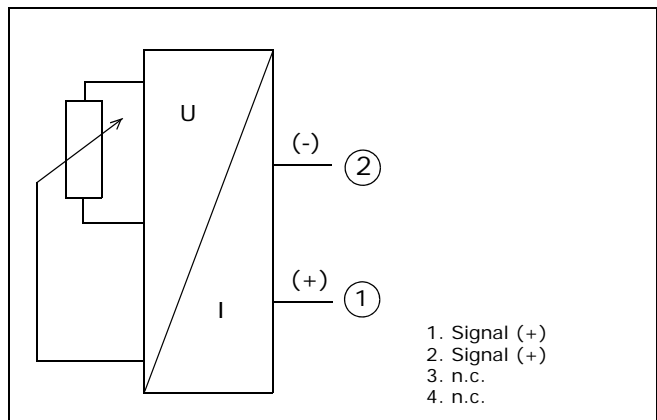
Components



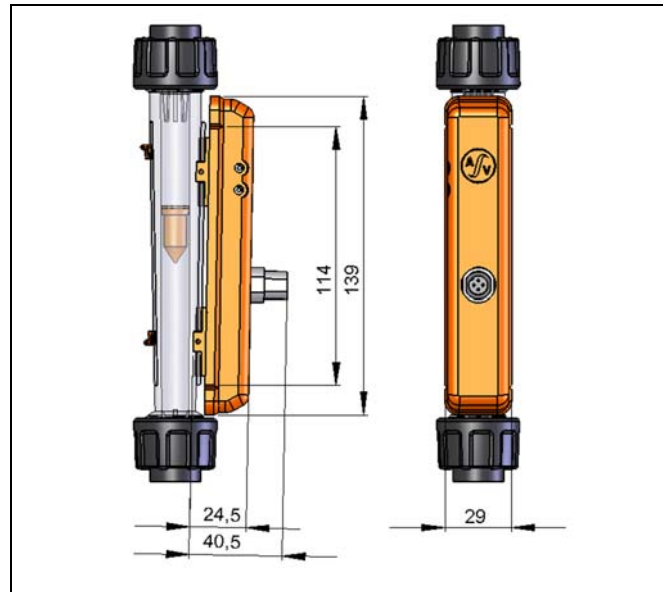
Flange connector



Circuit diagram



Dimensions

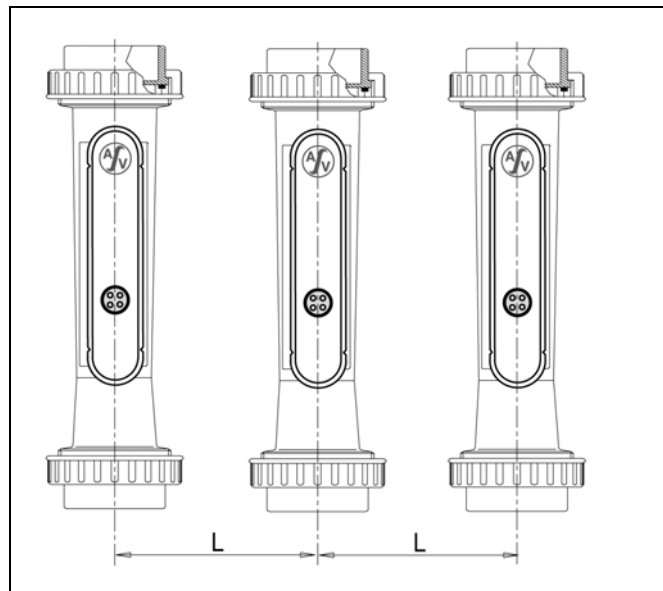


Ident number

Reed chain	
ZE 3075	140907

Installation spacing

When fitting several DFMs with ZE 3000 in parallel, observe the minimum spacings



Type	Spacing L (mm)
165	200
170	200
185	200
200	200

Technische Änderungen vorbehalten