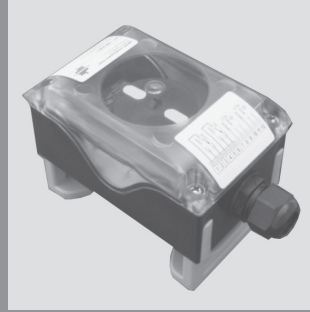


Limit switch unit for pneumatic actuators



Advantage

- high-quality materials
- reliable and low-maintenance

Utilisation

- Limit switch units for signal output "OPEN/CLOSED"

Body

- PA

Bonnet

- PC

Sealing

- EPDM

Screws

- stainless steel (1.4301)

Ambient Temperature

- -20°C ... +80°C

Type Of Protection

- IP 67

Electrical Connection

- cable screw connection M20x1,5

Limit Switch

- Micro Switch Type EPP2Mo1
- Proximity Switch Type EPP2Io1
- Proximity Switch Type EVP2Io1-IA (NAMUR)

Technical Data

• Micro Switch EPP2Mo1

- Switch: CROUZET 83161.3
- Operating voltage: 125 ... 250 V AC
- Maximum current: 16 A (250 V AC); 2,5 A (24 V DC)
- Temperature: -20 °C ... +80 °C

• Proximity Switch Type EPP2Io1

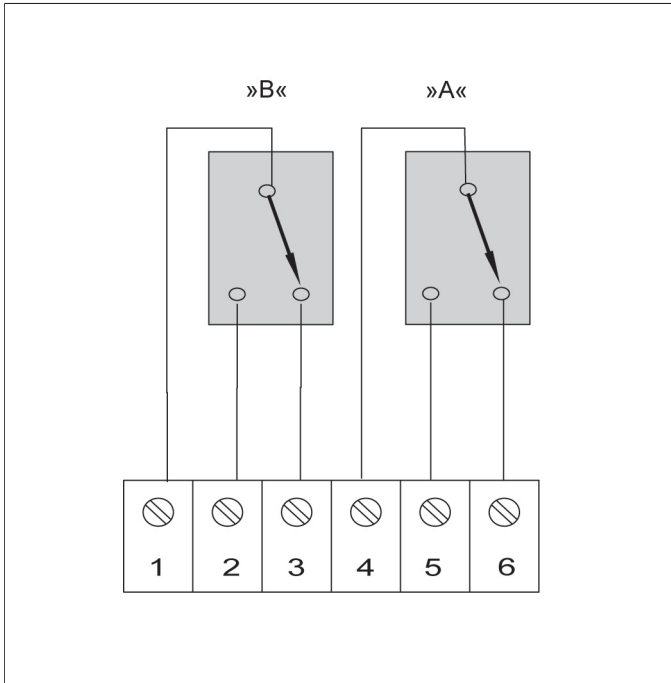
- Switch: P+F, NBB2-V3-E2
- Switching function: PNP normally open contact
- Operating voltage: 10 ... 30 V DC
- Operating current: 0 ... 100 mA
- Switching frequency: 0 ... 1000 Hz
- Type of protection: IP 67
- Temperature: -20 °C ... +80 °C

• Proximity Switch Type EVP2Io1-IA

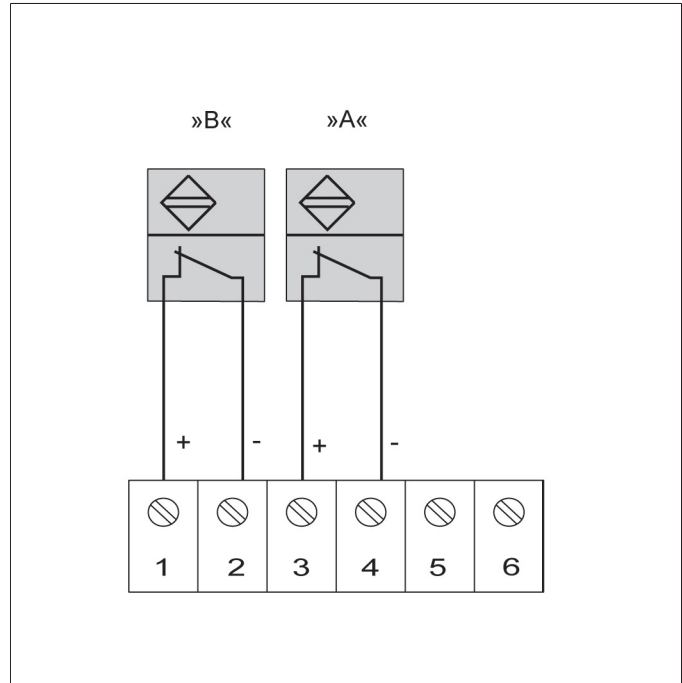
- Switch: P+F, NJ2-V3-N (NAMUR)
- Switching function: NAMUR normally closed contact
- Operating voltage: 8 V DC
- Operating current: 1 ... 3 mA
- Switching frequency: 0 ... 1000 Hz
- Type of protection: IP 67
- Temperature: -25 °C ... 100 °C
- Ex-identification: Ex II 1G Ex ia IIC T6

Valves, Limit switch unit for pneumatic actuators

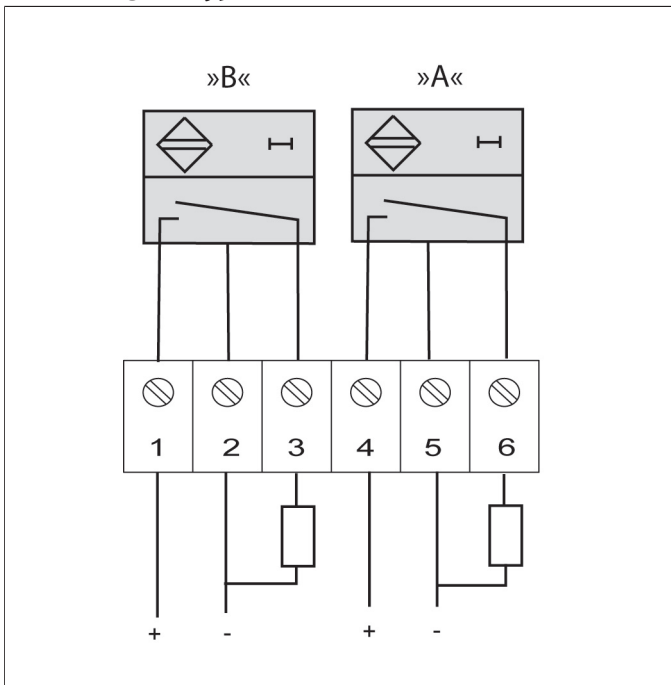
Circuit diagram Type EPP2Mo1



Circuit diagram Type EVP2lo1-IA



Circuit diagram Type EPP2lo1



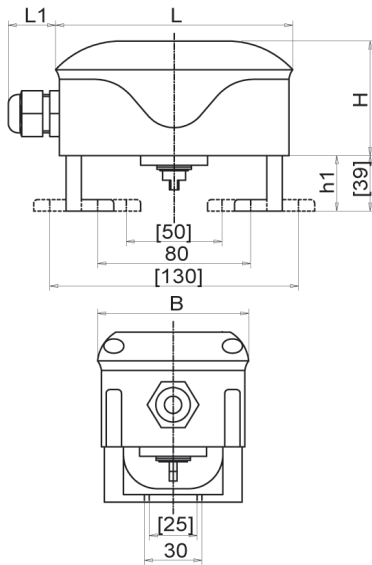
Valves, Limit switch unit for pneumatic actuators



Actuator variant NC/NO/DA

<i>size</i> <i>pressure range</i>	design		EPP2l01	EPP2M01	EVP2l01-IA
	<i>sealing</i>	<i>ident No.</i>			
<i>Connection</i>					
general general	EPDM		117970	132273	138239

Valves, Limit switch unit for pneumatic actuators



dimensions

design	EPP2lo1	EPP2Mo1	EVP2lo1-IA
dimensions(mm)			
B	79	79	79
H	62	62	62
h1	29	29	29
L	124	124	124
L1	24.7	24.7	24.7