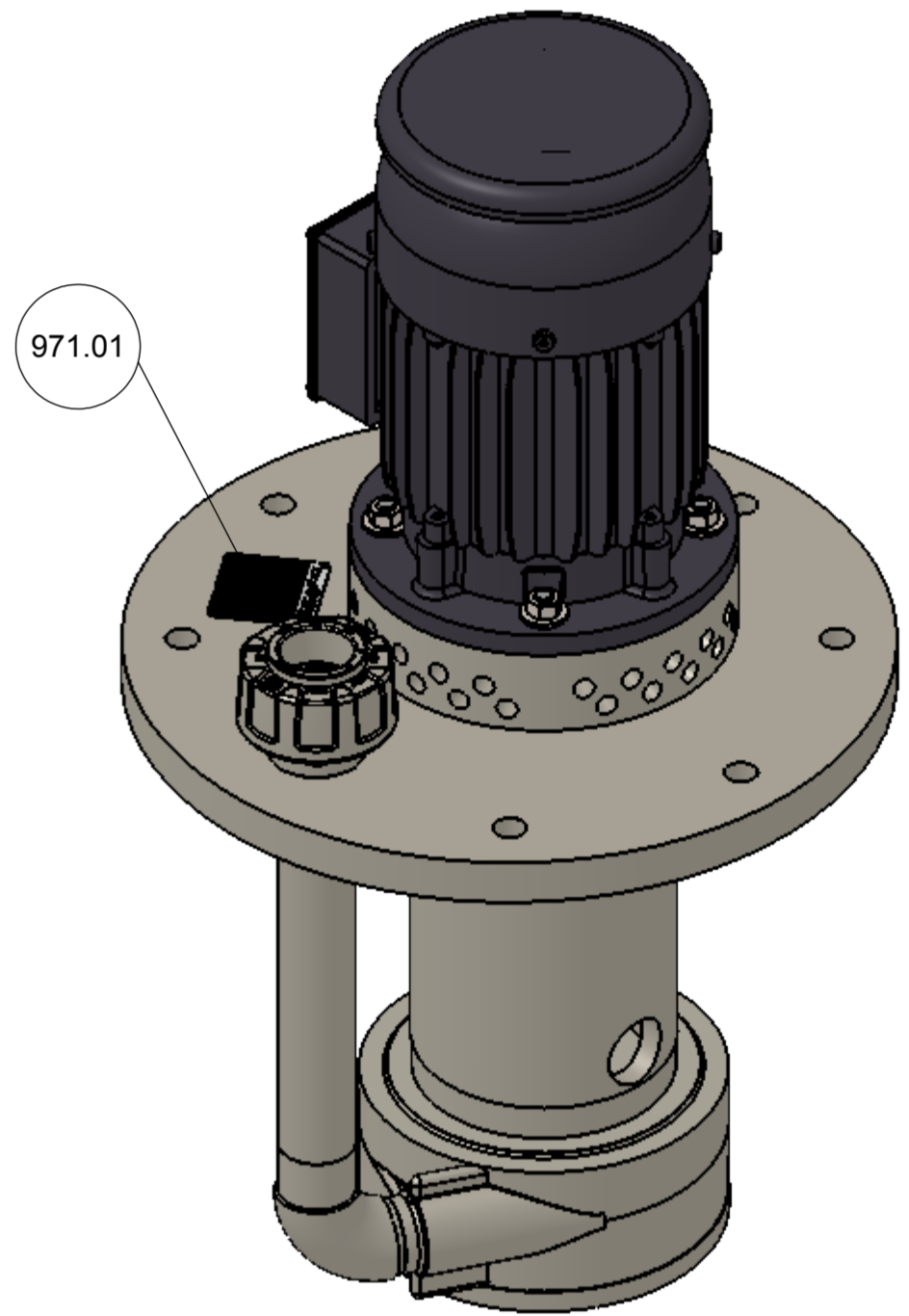
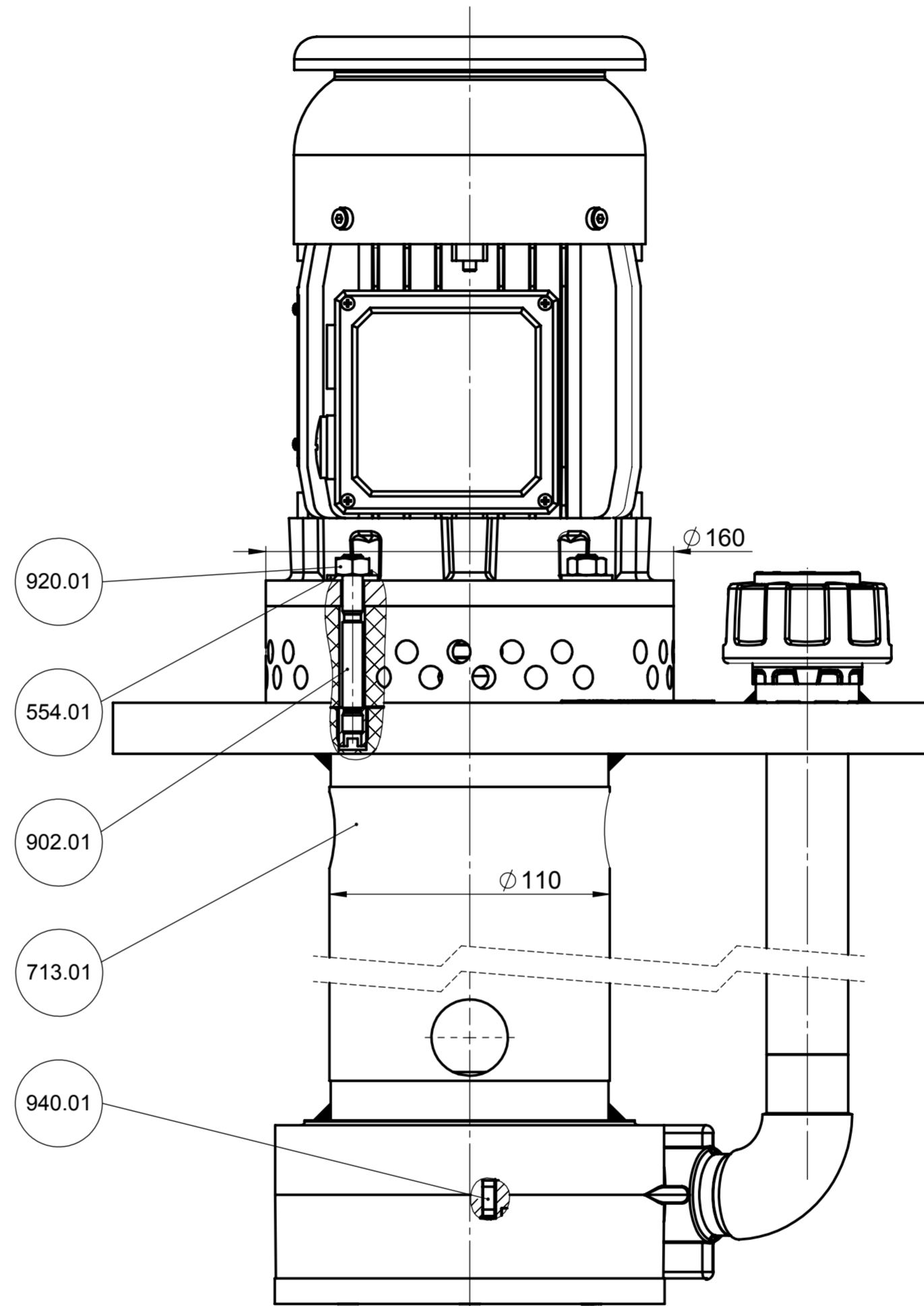
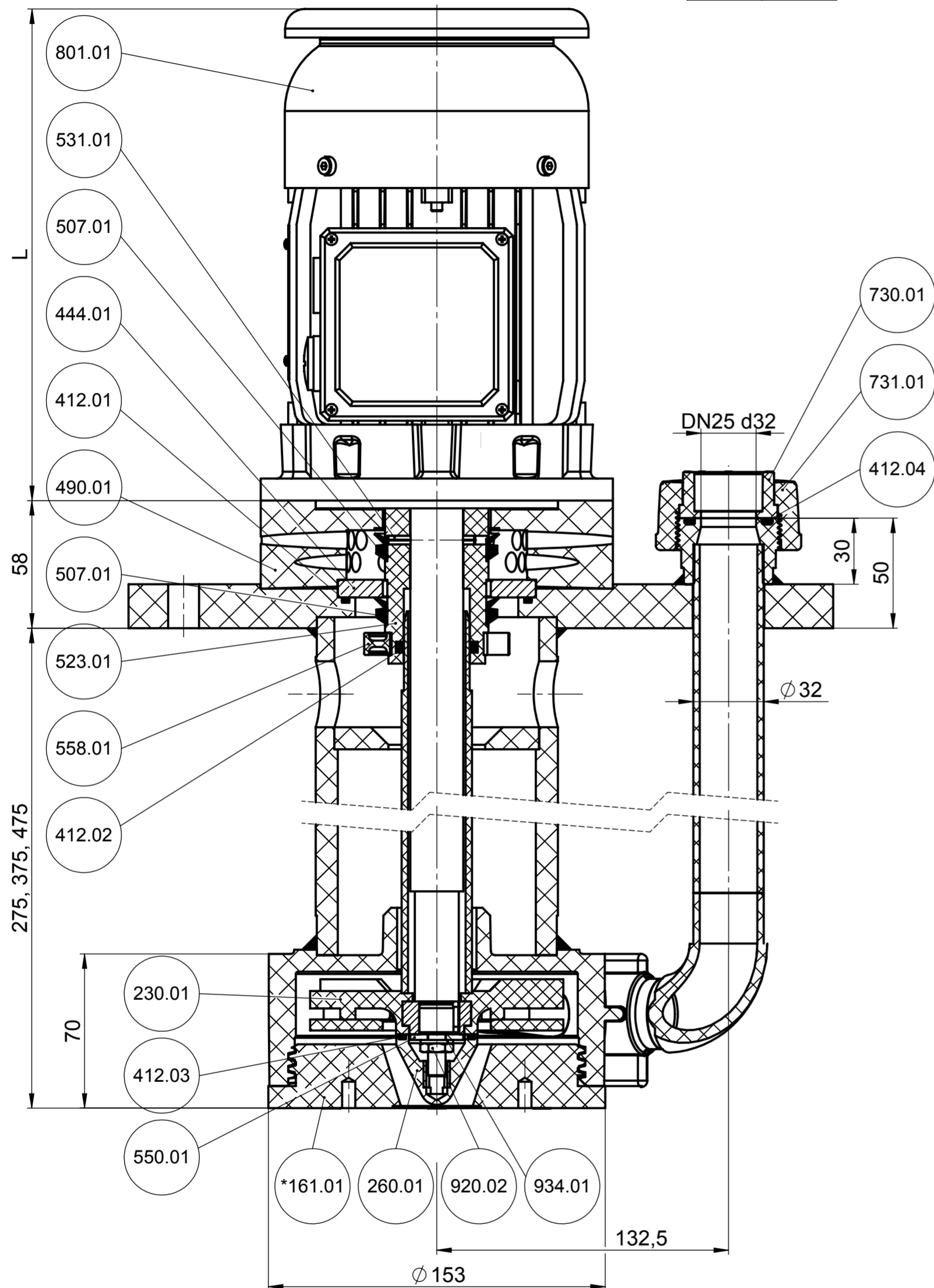


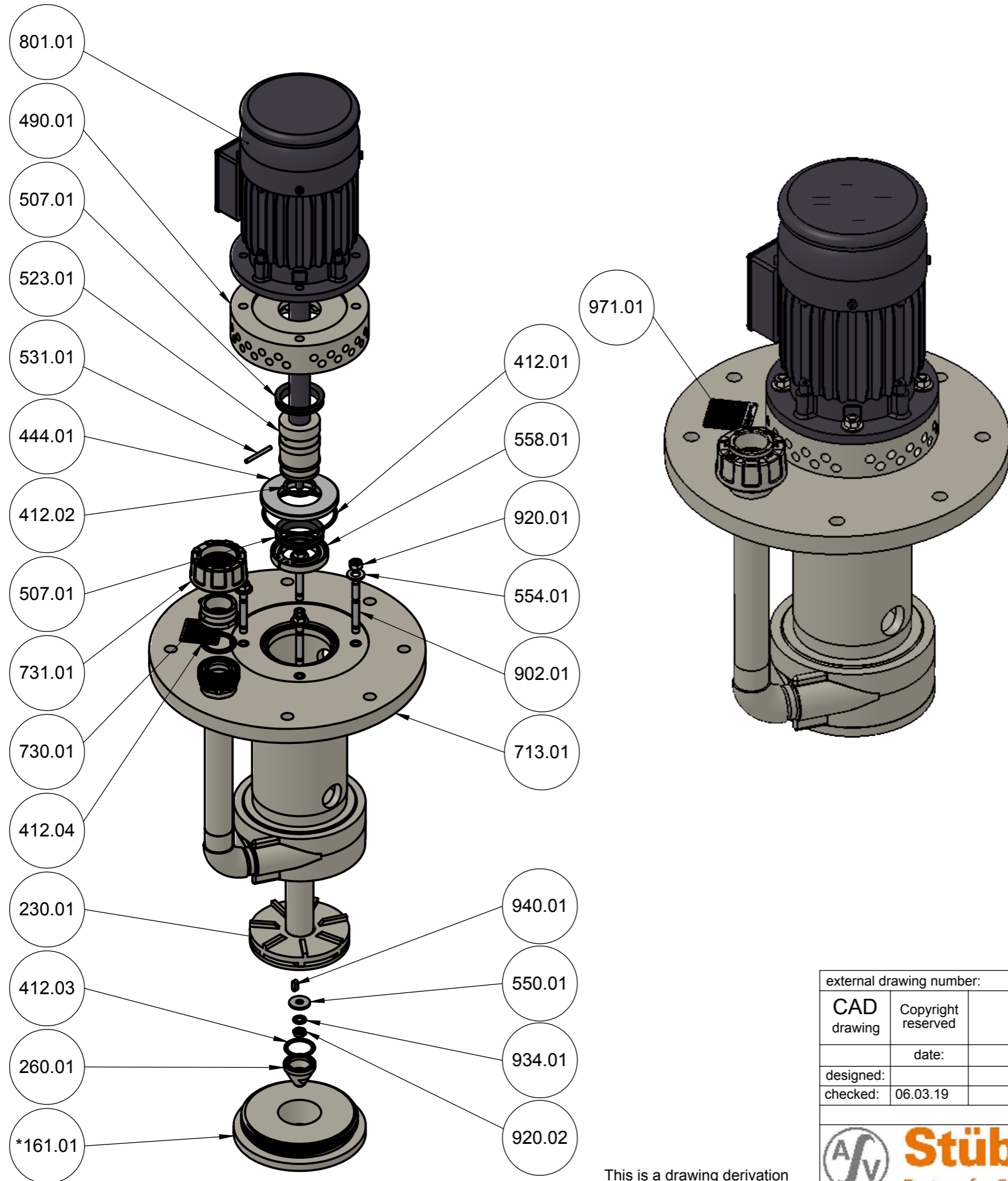
25-125S	
KW	Länge L
0,37	223
0,55	223



*nicht geeignet für Saugsieb
oder Saugrohrverlängerung
not suitable for suction strainer
or suction extension

This is a drawing derivation
of a 3D model. Changes must be
carried out in the 3D model.

external drawing number:										9.106	
CAD drawing	Copyright reserved										
	date:	name:	part name:		ETLB-S 25-125S						
designed:											
checked:	06.03.19										
deduced from:		filename: 168564		ident no.:		index:		format:		sheet:	
				168564		a		A2		1	
										2 sheets	



Set	Anzahl	Pos.
Set 1	1	801.01
Set 2	1	554.01 / 902.01 / 920.01
Set 3	1	490.01
Set 4	1	412.01 / 444.01
Set 5	1	713.01
Set 6	1	412.02 / 507.01 / 523.01 / 531.01 / 558.01
Set 7	1	230.01 / 412.02
Set 8	1	260.01 / 412.03 / 550.01 / 920.02 / 934.01 / 940.01
Set 9	1	412.04 / 730.01 / 731.01
*Set 10	1	161.01

*nicht geeignet für Saugsieb
oder Saugrohrverlängerung
not suitable for suction strainer
or suction extension

external drawing number:				
CAD drawing	Copyright reserved			9.106
designed:	date:	part name:		
checked:	06.03.19	ETLB-S 25-125S		
ASV Stübbe GmbH & Co.KG Postfach 1765 D-32591 Vlotho		ident no.:	index:	format:
deduced from:		168564	a	A3
filename: 168564		sheet:	2	
		2 sheets		

This is a drawing derivation of a 3D model. Changes must be carried out in the 3D model.