
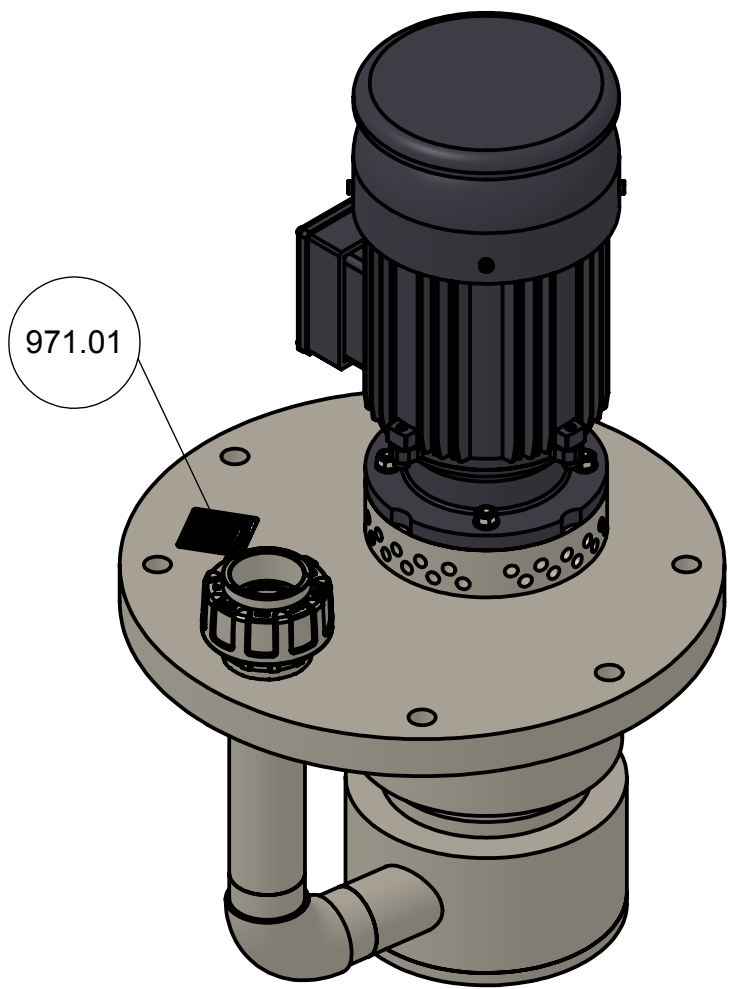
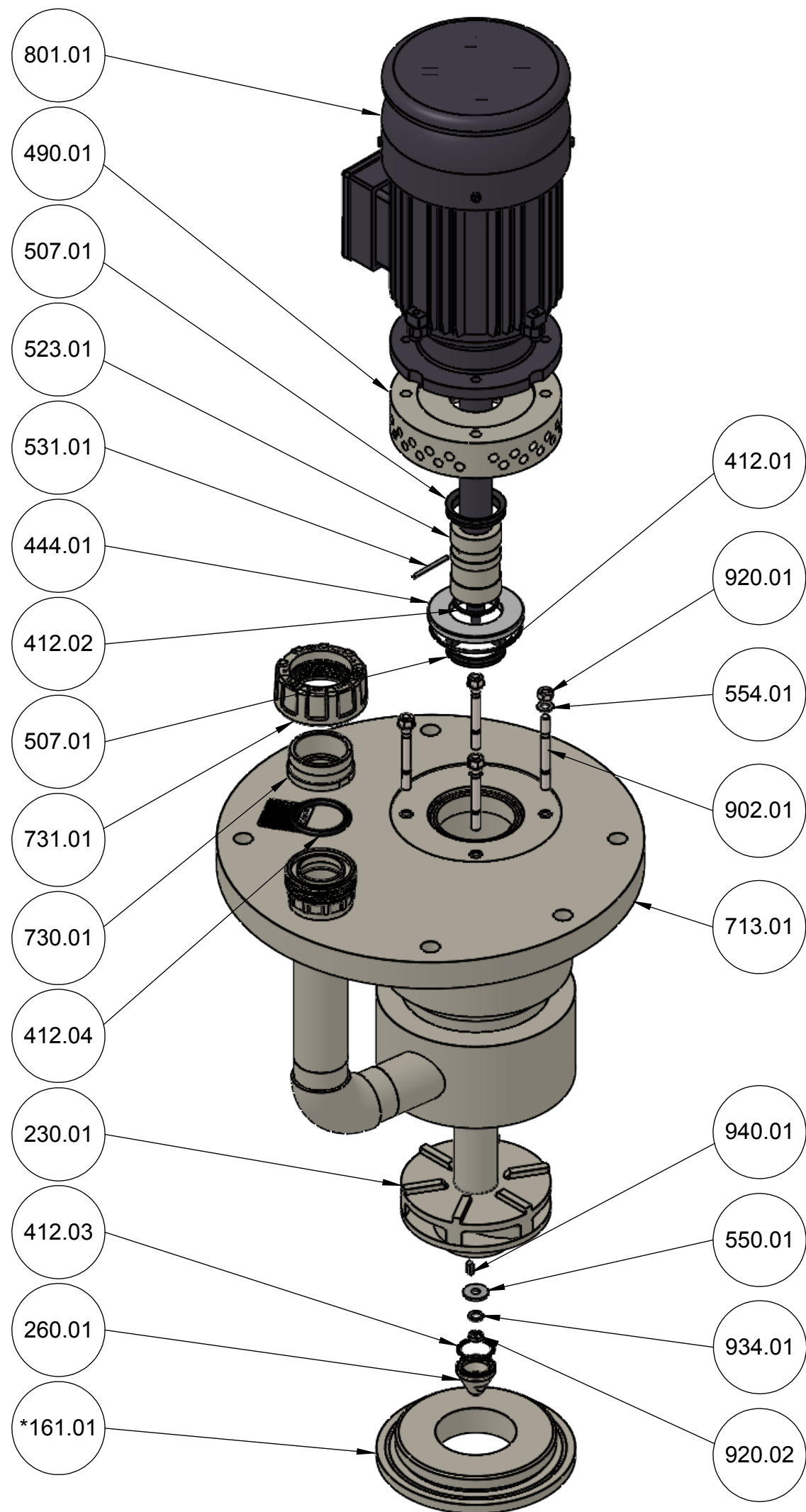


\*nicht geeignet für Saugsieb  
oder Saugrohrverlängerung  
not suitable for suction strainer  
or suction extension


This is a drawing derivation  
of a 3D model. Changes must be  
carried out in the 3D model.

external drawing number:			
CAD drawing	Copyright reserved		
designed:	date:	name:	part name:
checked:	08.03.19		ETLB-S 40-125
 <b>Stübbe</b> Partner for Solutions		ASV Stübbe GmbH & Co.KG Postfach 1765 D-32291 Vlotho	ident no.: <b>168567</b>
deduced from:	filename: 168567	index: a	format: A1
		sheet: 1	2 sheets



Set	Anzahl	Pos.
Set 1	1	801.01
Set 2	1	554.01 / 902.01 / 920.01
Set 3	1	490.01
Set 4	1	412.01 / 444.01
Set 5	1	713.01
Set 6	1	412.02 / 507.01 / 523.01 / 531.01
Set 7	1	230.01 / 412.02
Set 8	1	260.01 / 412.03 / 550.01 / 920.02 / 934.01 / 940.01
Set 9	1	412.04 / 730.01 / 731.01
*Set 10	1	161.01

\*nicht geeignet für Saugsieb  
oder Saugrohrverlängerung  
not suitable for suction strainer  
or suction extension

external drawing number:					
CAD drawing	Copyright reserved				18.839
	date:		part name:	ETLB-S 40-125	
designed:					
checked:	08.03.19				
 <b>ASV Stübbe</b> GmbH & Co.KG Postfach 1765 D-32591 Vlotho		ident no.:	index:	format:	sheet:
deduced from:		filename: 168567	168567	a	A3
					2 2 sheets

This is a drawing derivation of a 3D model. Changes must be carried out in the 3D model.