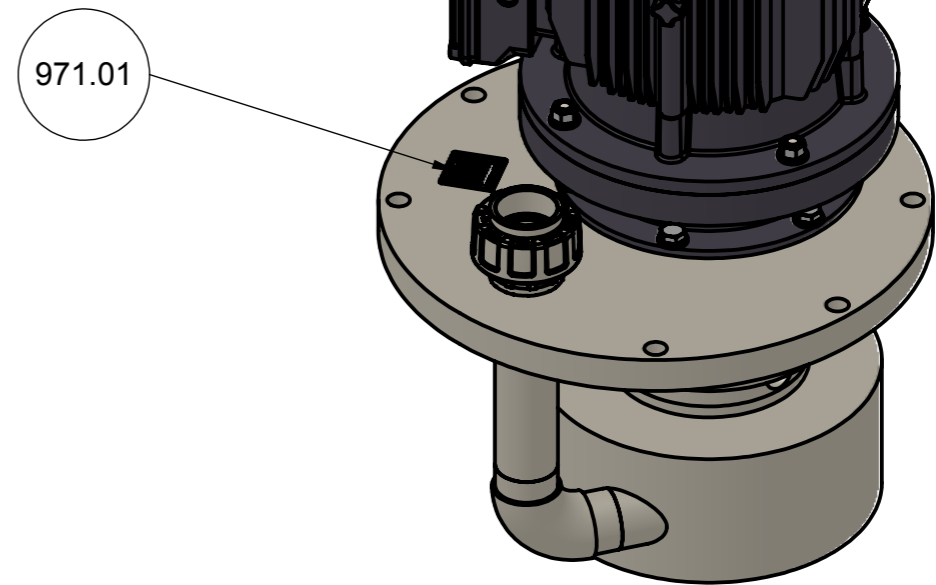
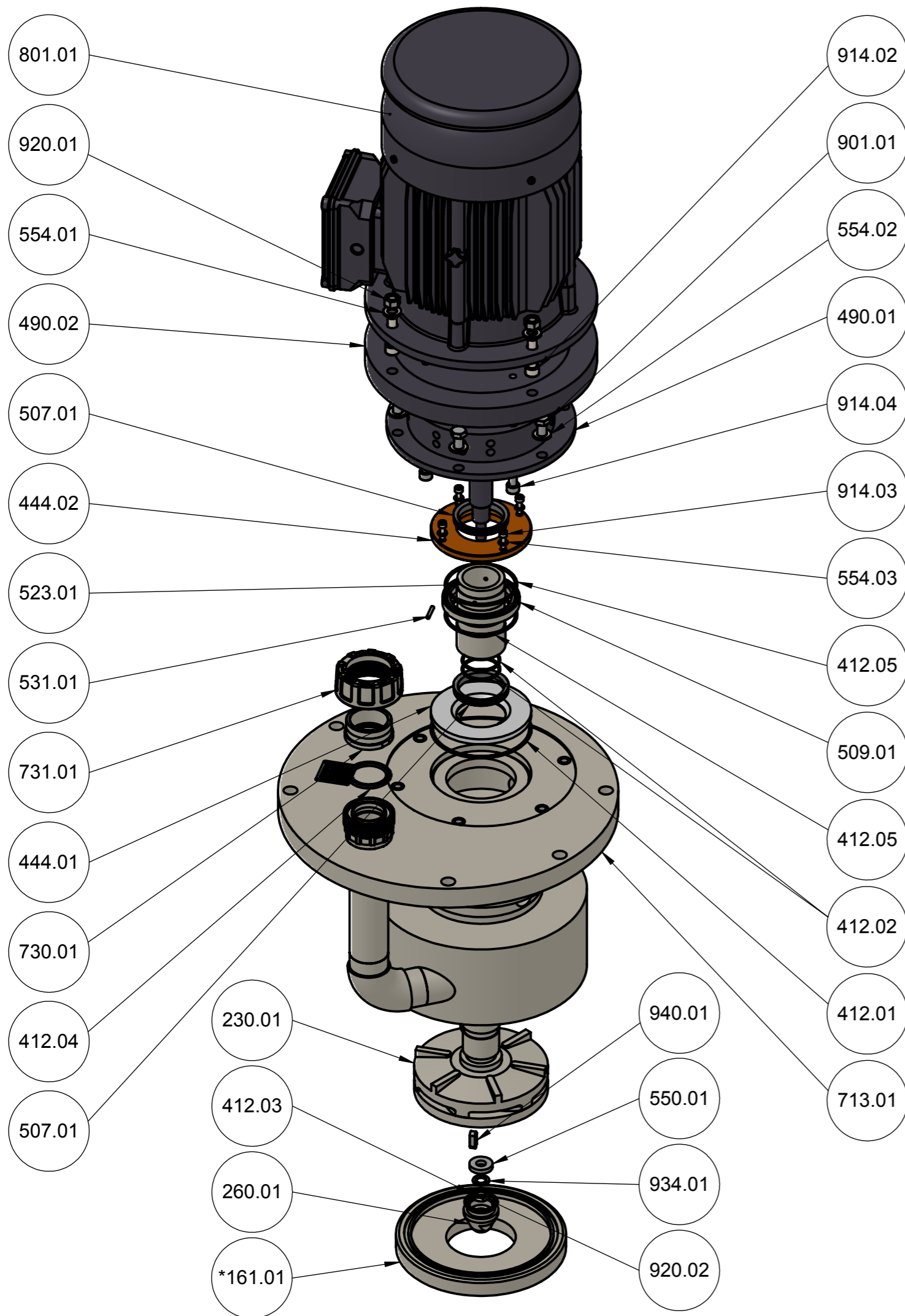


*nicht geeignet für Saugsieb
oder Saugrohrverlängerung
not suitable for suction strainer
or suction extension

This is a drawing derivation
of a 3D model. Changes must be
carried out in the 3D model.

external drawing number:			
CAD drawing	Copyright reserved	date:	name:
designed:	checked:	part name: ETLB-S 40-160 5,5/7,5kW	
checked: 25.05.18		ident no.:	index: format: sheet:
		168572	- A1 1
deduced from:		filename: ETLB-S 40-160 5,5-7,5kW	



Set	Anzahl	Pos.
Set 1	1	801.01
Set 2	1	554.01 / 914.02 / 914.04 / 920.01
Set 3	1	490.01 / 490.02 / 554.02 / 901.01
Set 4	1	412.01 / 412.05 / 444.01 / 444.02 / 509.01 / 554.03 / 914.03
Set 5	1	713.01
Set 6	1	412.02 / 507.01 / 523.01 / 531.01
Set 7	1	230.01 / 412.02
Set 8	1	260.01 / 412.03 / 550.01 / 920.02 / 934.01 / 940.01
Set 9	1	412.04 / 730.01 / 731.01
Set 10	1	161.01

This is a drawing derivation of a 3D model. Changes must be carried out in the 3D model.

*nicht geeignet für Saugsieb oder Saugrohrverlängerung
not suitable for suction strainer or suction extension

external drawing number:					
CAD drawing	Copyright reserved	Divergences for dimension without tolerances DIN ISO 2768-mK DIN 16901			
	date:	name:	part name:		
designed:			ETLB-S 40-160 5,5/7,5kW		
checked:	25.05.18				
		ASV Stübbe GmbH & Co.KG Postfach 1765 D-32591 Vlotho	ident no.:	index:	format:
			168572	-	A3
deduced from:		filename: ETLB-S 40-160 5,5-7,5kW			
				sheet:	2
				2 sheets	