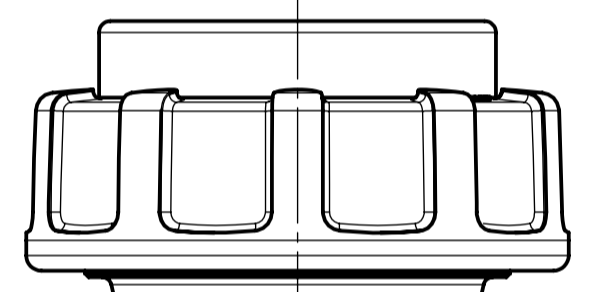
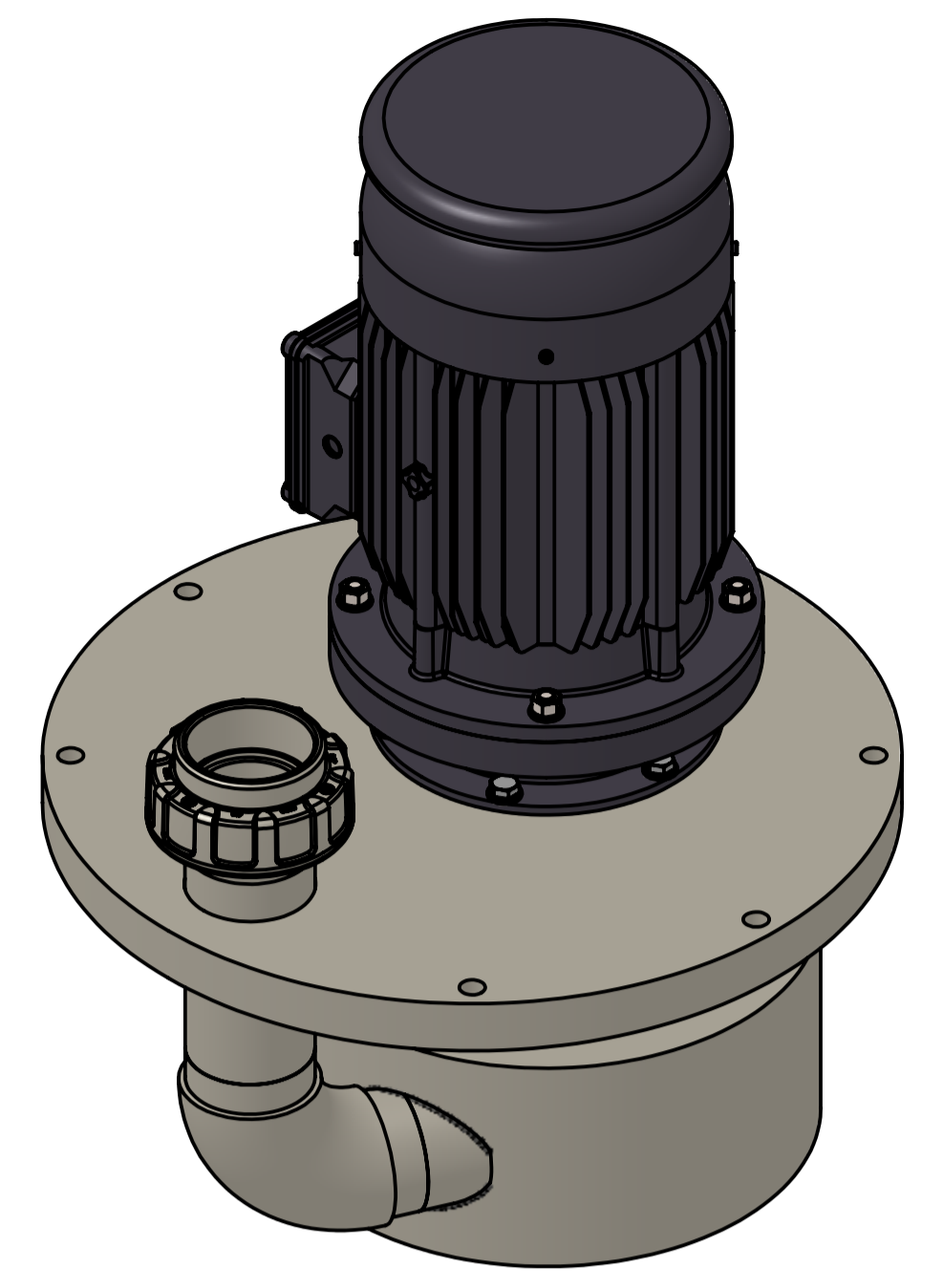
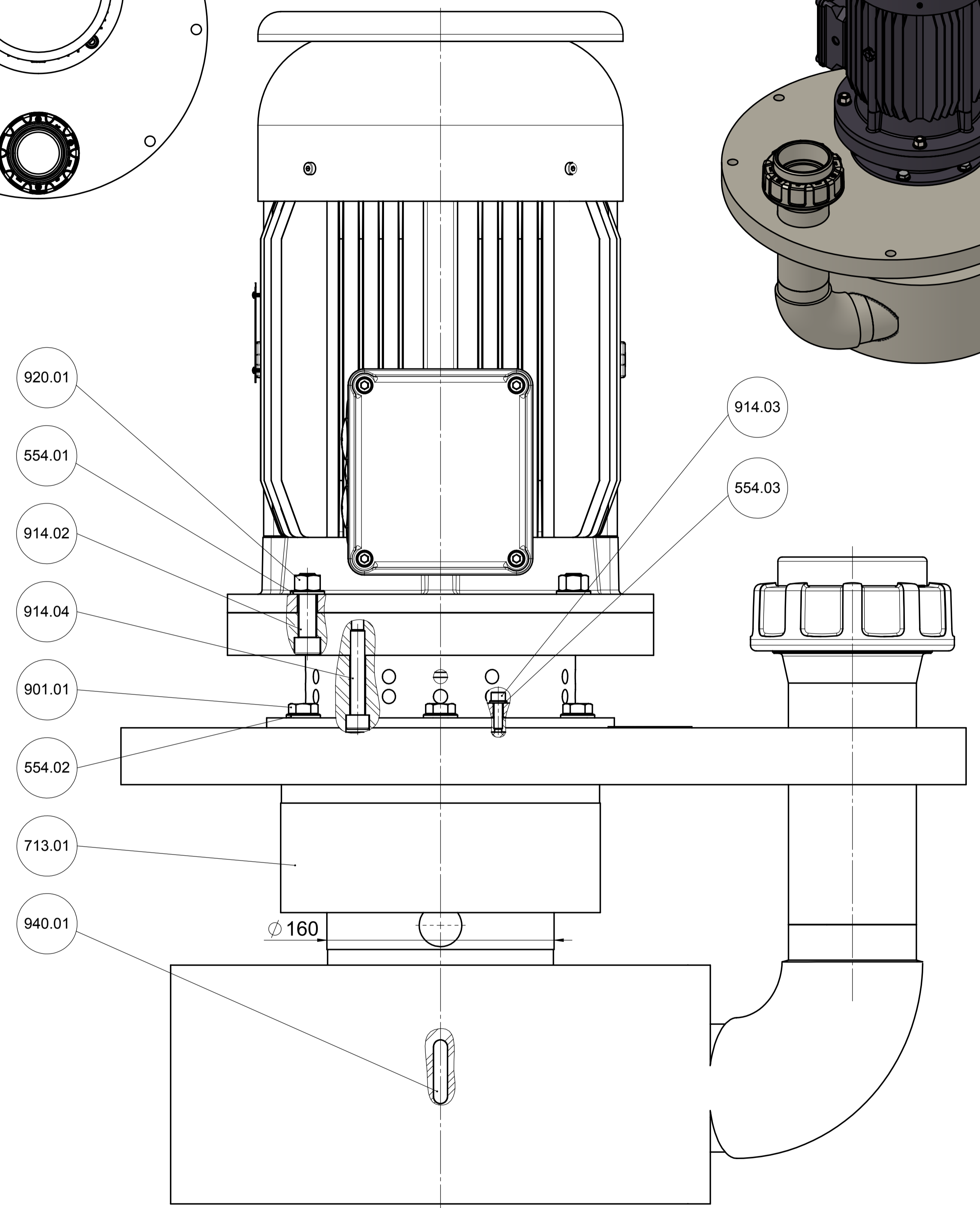
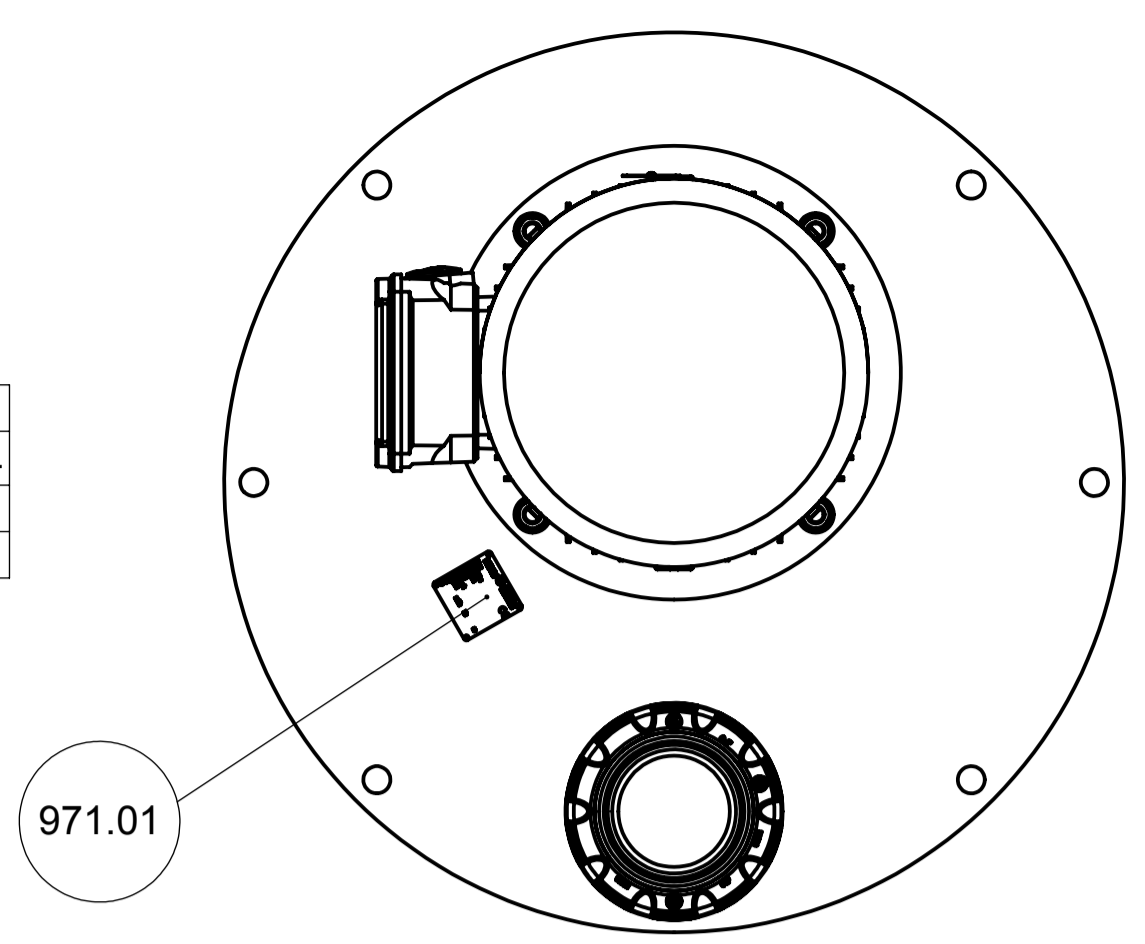
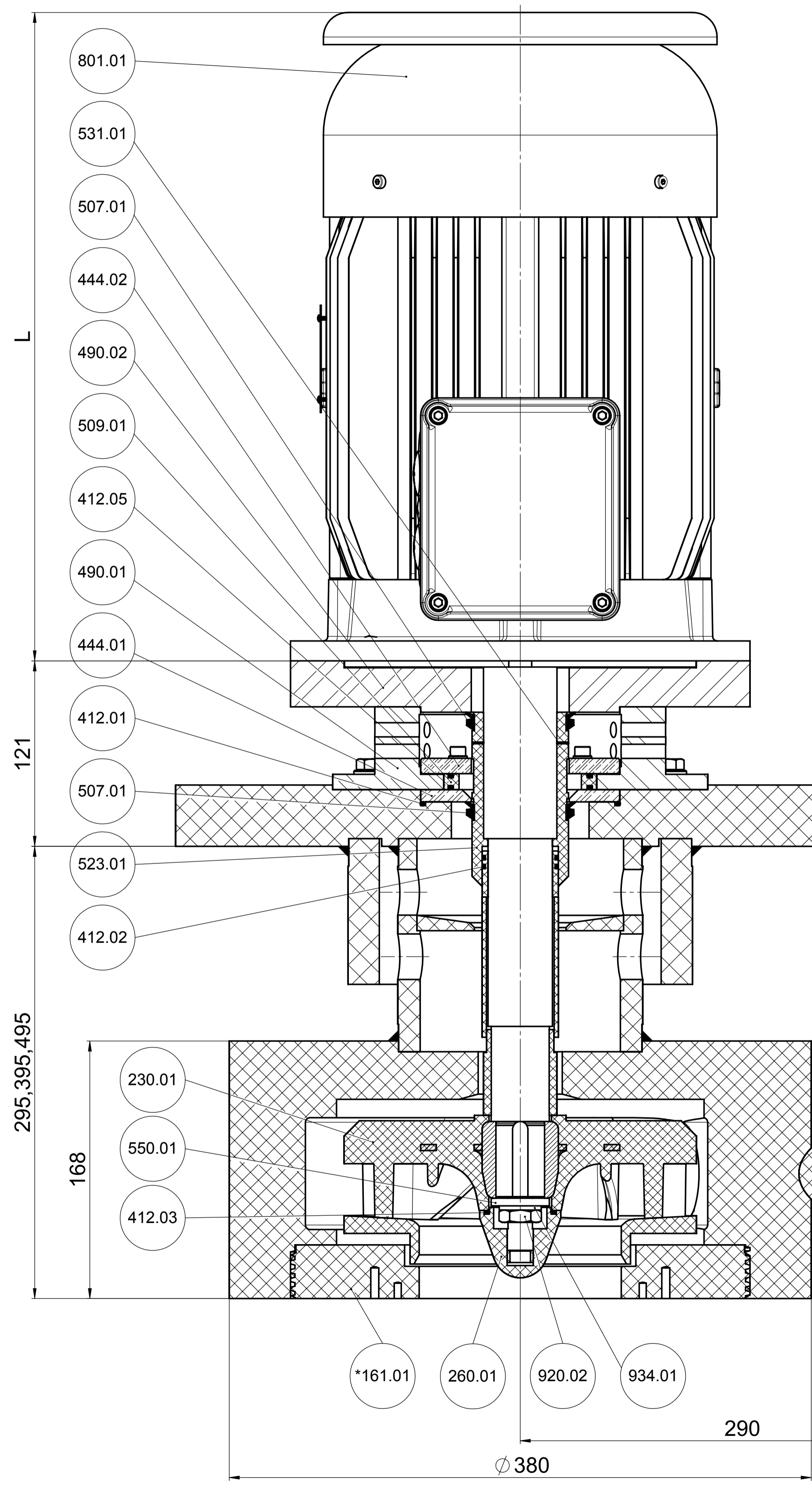


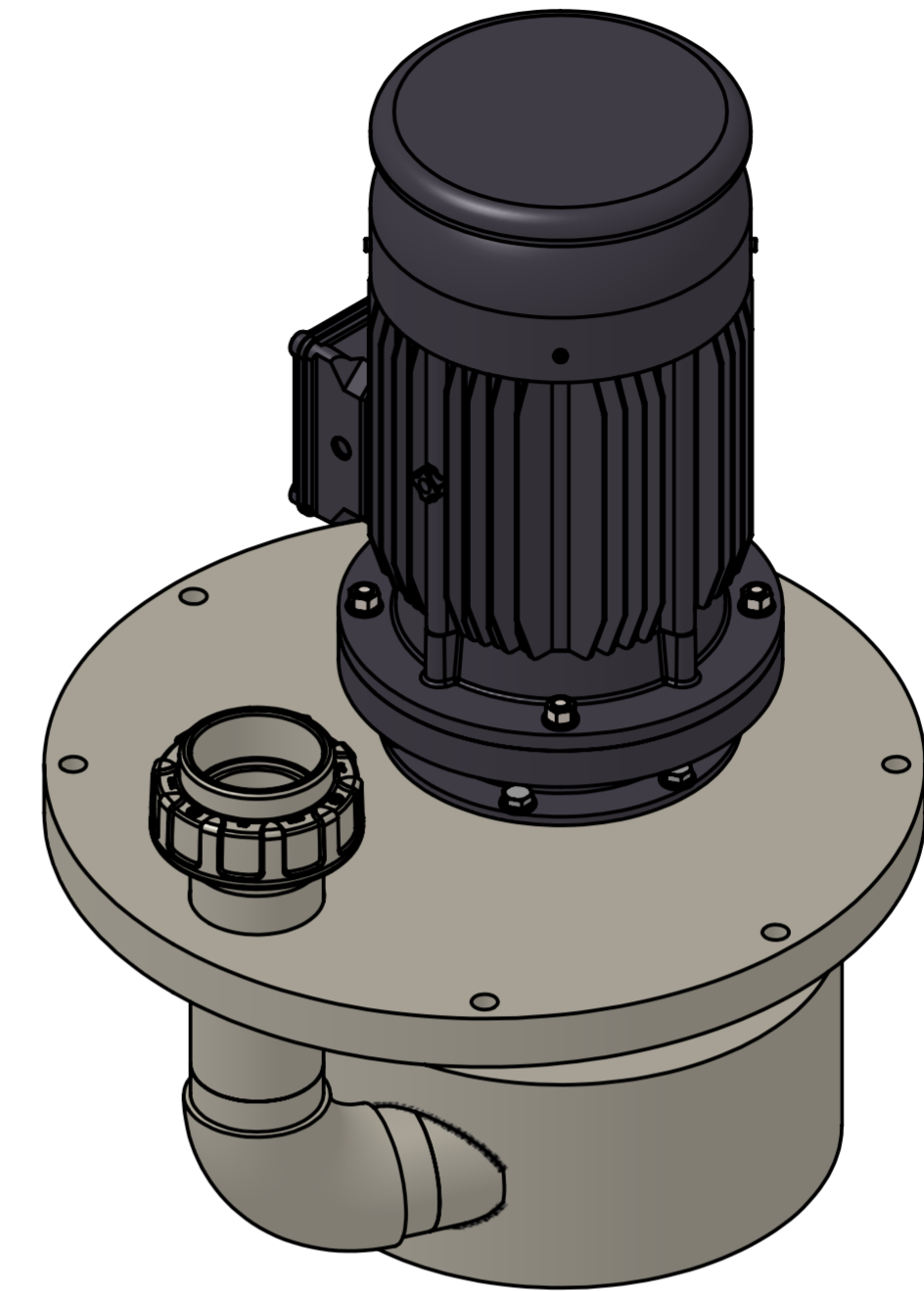
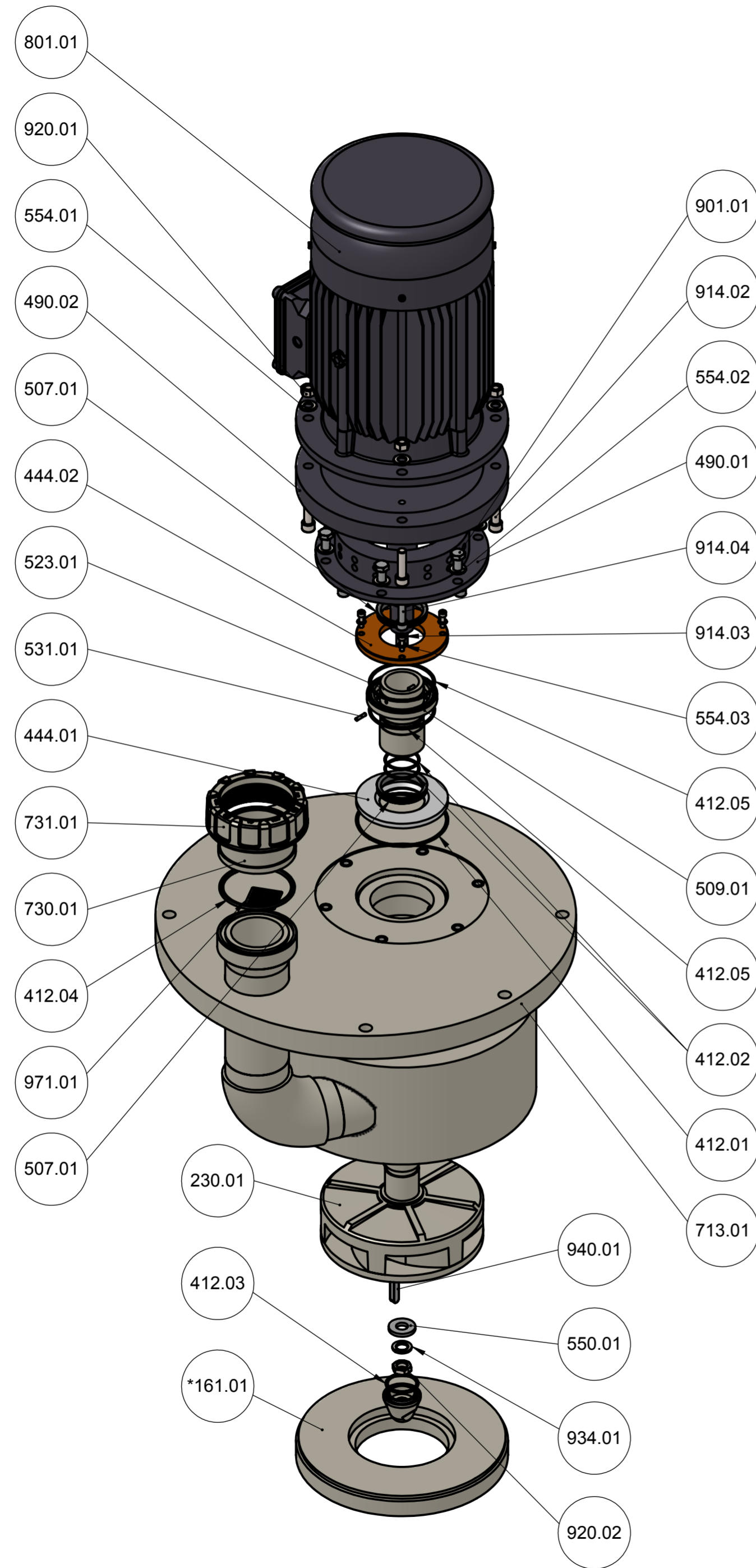
80-200	
KW	Länge L
5,5	423
7,5	475



*nicht geeignet für Saugsieb
oder Saugrohrverlängerung
not suitable for suction strainer
or suction extension

This is a drawing derivation
of a 3D model. Changes must be
carried out in the 3D model.

external drawing number:			
CAD drawing	Copyright reserved		
designed:	date:	name:	part name:
checked:	06.03.19		ETLB-S 80-200
Stübbe Partner for Solutions		ASV Stübbe GmbH & Co. KG Postfach 1765 D-32291 Vlotho	ident no.: 168570
deduced from:		index: a	format: A1
filename: 168570		sheet: 1	2 sheets



Set	Anzahl	Pos.
Set 1	1	801.01
Set 2	1	554.01 / 914.04 / 920.01
Set 3	1	490.01 / 490.02 / 554.02 / 901.01
Set 4	1	412.01 / 412.05 / 444.01 / 444.02 / 509.01 / 554.03 / 914.03
Set 5	1	713.01
Set 6	1	412.02 / 507.01 / 523.01 / 531.01
Set 7	1	230.01 / 412.02
Set 8	1	260.01 / 412.03 / 550.01 / 920.02 / 934.01 / 940.01
Set 9	1	412.04 / 730.01 / 731.01
Set 10	1	161.01

*nicht geeignet für Saugsieb
oder Saugrohrverlängerung
not suitable for suction strainer
or suction extension

This is a drawing derivation
of a 3D model. Changes must be
carried out in the 3D model.

external drawing number:							
CAD drawing	Copyright reserved	Divergences for dimension without tolerances DIN ISO 2768-mK DIN 16901		part name:		ETLB-S 80-200	
designed:	date:	name:					
checked:	06.03.19						
deduced from:		ASV Stübbe GmbH & Co.KG Postfach 1765 D-32591 Vlotho		ident no.:	index:	format:	sheet:
				168570	a	A2	2
		filename: 168570		2 sheets			