

TINYPTM-C2 PRESSURE SENSOR DATASHEET



output 4..20mA

Characteristics

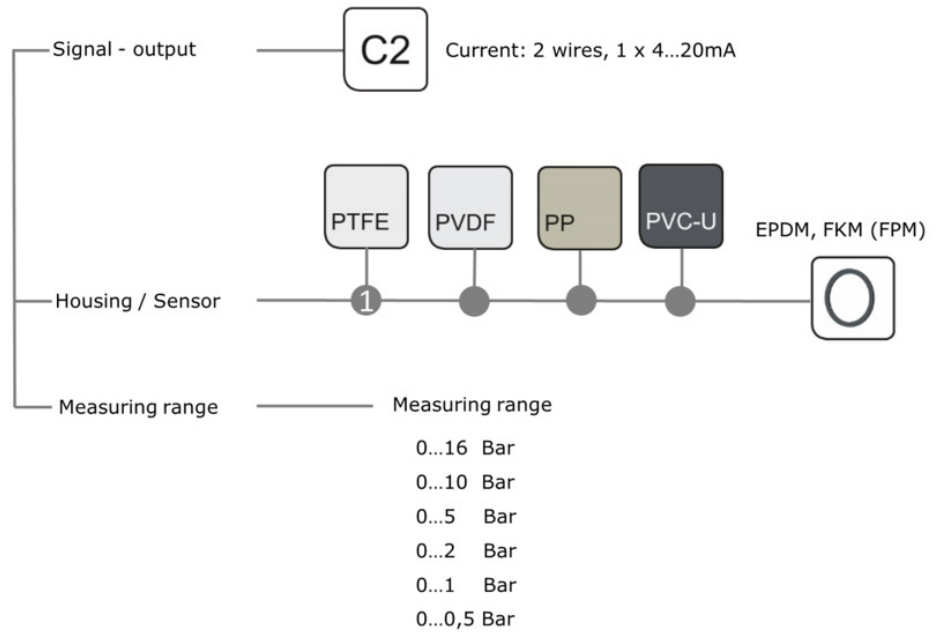
- Ideal as a dry run protection device for pumps and for process monitoring
- Pressure range from 0-0.5 up to 0-10 bar
- robust design
- high accuracy
- resistant to aggressive media



tinyPTM-C2



1/2" pressure gauge connection



1 Housing (not in contact with media): Stainless steel 1.4104 and PVDF

* Angle socket with screw contacts included in the scope of delivery

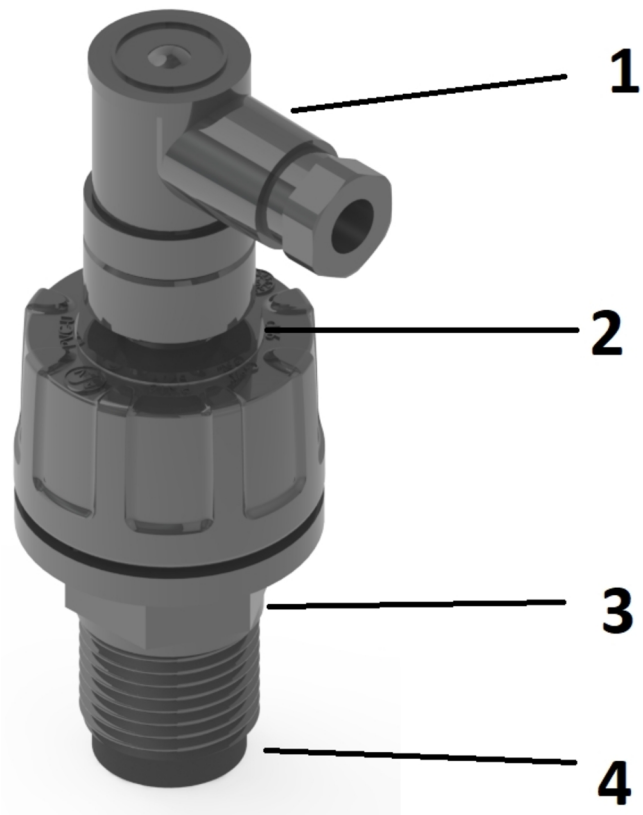
tinyPTM-C2 Pressure sensor

Application	- The tinyPTM C2 can be used as a transmitter for pressure determination for process monitoring, but also as dry-running protection for pumps.
Function	- The process pressure is registered by a ceramic transducer made of AL2O3.
STÜBBE resistance guide	- www.stuebbe.com/pdf_resistance/300051.pdf
Interfaces	- Signal output, current loop (C2): 4–20 mA, 2-wire
Measuring category	- pressure
Device connection	- ½" pressure gauge connection
output	- 4..20mA
Type of protection	- IP 67
Mounting position	- any
Material Sensor (wetted parts)	- AL2O3 96 %
Housing material (with medium contact)	- PVDF - PP - PVC-U - PTFE
Material sealing element (in contact with medium)	- EPDM - FPM
Material housing (not in contact with the medium)	- 1.4571 - PVDF - PP - PVC-U
Sensordaten (Druck)	- Messbereich: 0-0.5, 0-1, 0-2, 0-5, 0-10, 0-16 bar - Maximum overpressure: 2 x nominal pressure - Precision >= 0-2 bar: at 0–85°C: ±2.4 % FS - Precision >= 0-2 bar: at 25 °C: ±1% FS - Precision < 0-2 bar: at 0–85°C: ±2.5 % FS Precision < 0-2 bar: at 25 °C: ±1.5 % FS - Precision < 0-2 bar: bei 25 °C: ±1,5 % FS
Approved process pressure range	--0.2 .. 2 x nominal pressure
Process temperature range	- 1.4104: -10 .. 110 °C - PVDF: -10 .. 100°C - PP: 0 .. 70 °C - PVC-U = 0 .. 50°C
Note	- Freezing medium destroys the sensor!

tinyPTM-C2 Pressure sensor

Voltage supply	- U = 9–35 V DC
Output behaviour	- Power up: < 200 ms - Step response (10–90%) 10 ms
Umgebungsbedingungen	- Ambient temperature: 0–50 °C - Atmospheric ambient pressure: 0.8-1.1 bar - Relative humidity: 20–85 %
Weight	- 1.4104: 126g - PVDF: 71g - PVDF: 71g - PVC-U: 63g

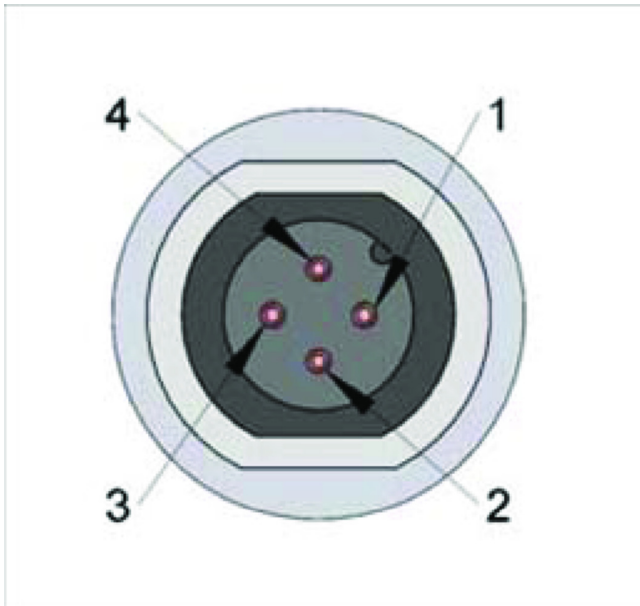
tinyPTM-C2 Pressure sensor



No.	Designation
1	Angle socket with screw contacts
2	4-pin M12 connector
3	Sensor housing SW22
4	1/2" pressure gauge connection with EPDM or FKM seal

tinyPTM-C2 Pressure sensor

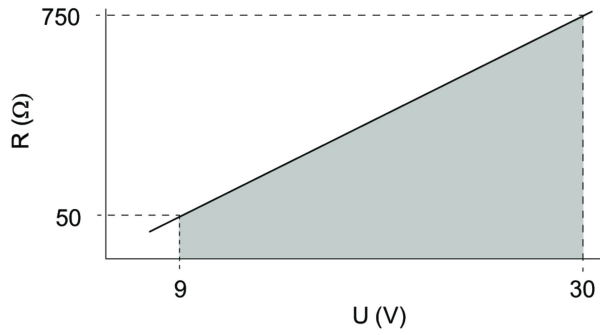
Circuit diagram, plug connector



M12 Stecker (Steckseite)	Connection / function
1	4-20 mA signal (+)
2	4-20 mA signal (-)
3	-
4	-

tinyPTM-C2 Pressure sensor

Ohmic resistance



No.	Designation
R	Max. ohmic resistance
U	Voltage supply

