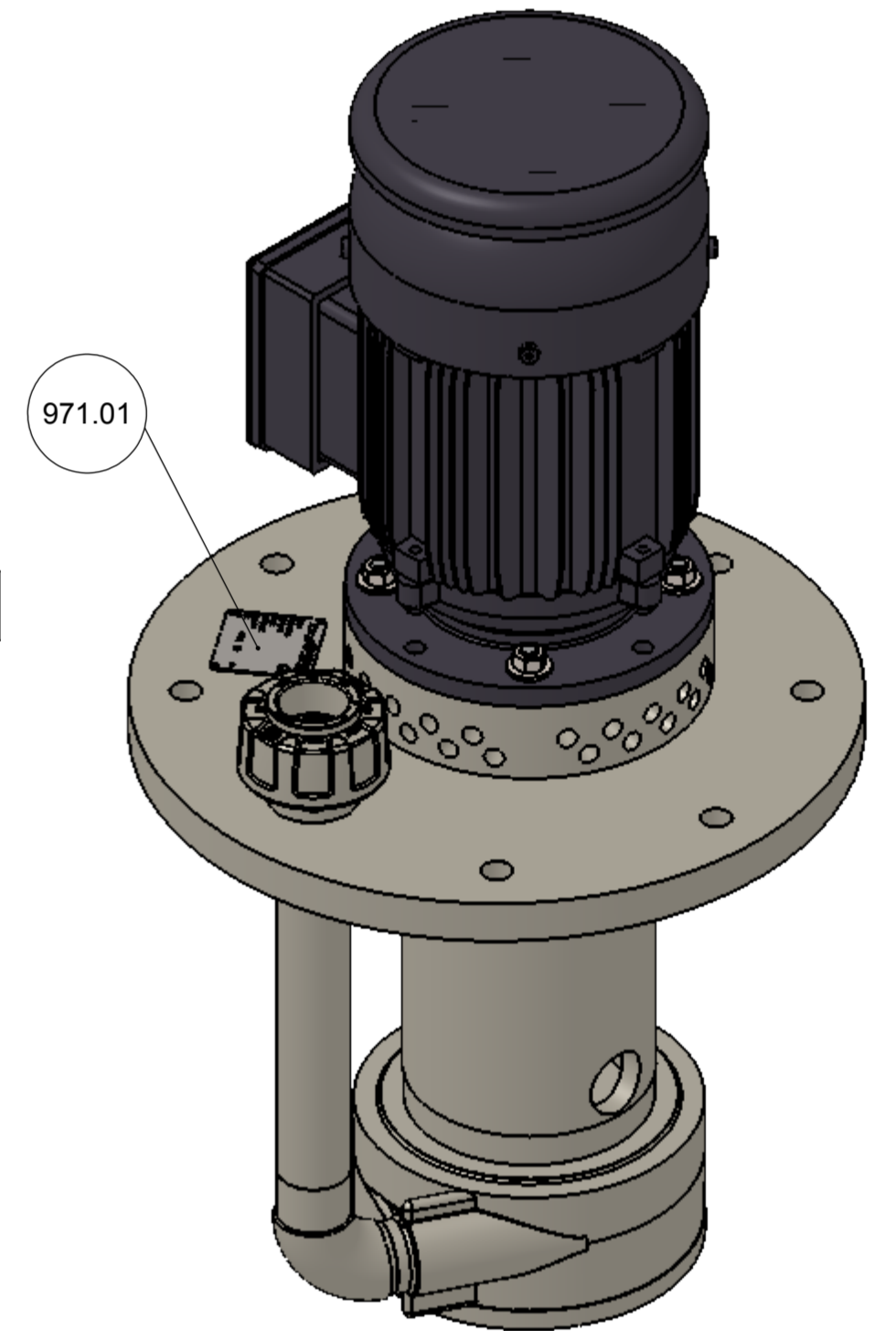
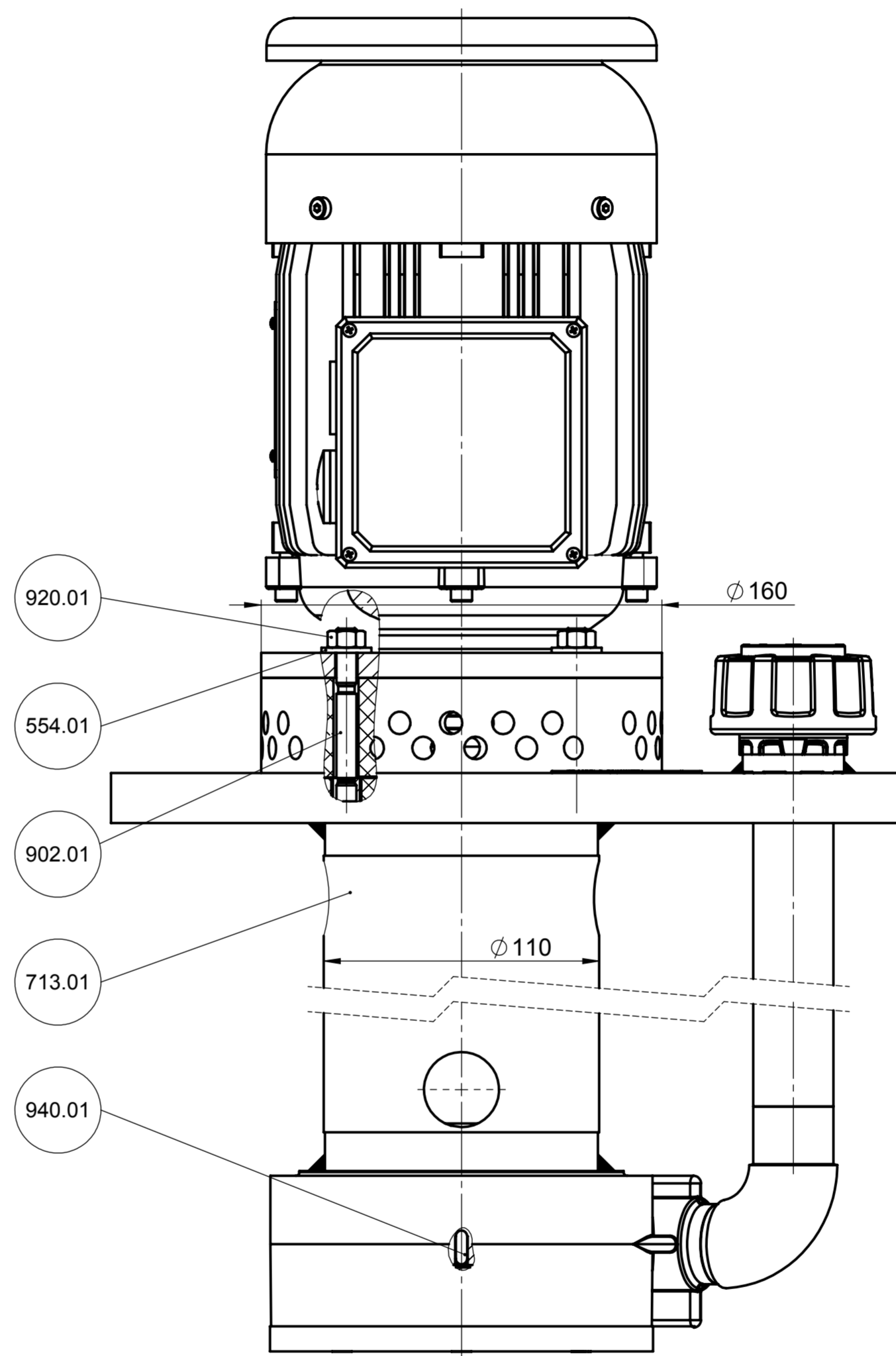


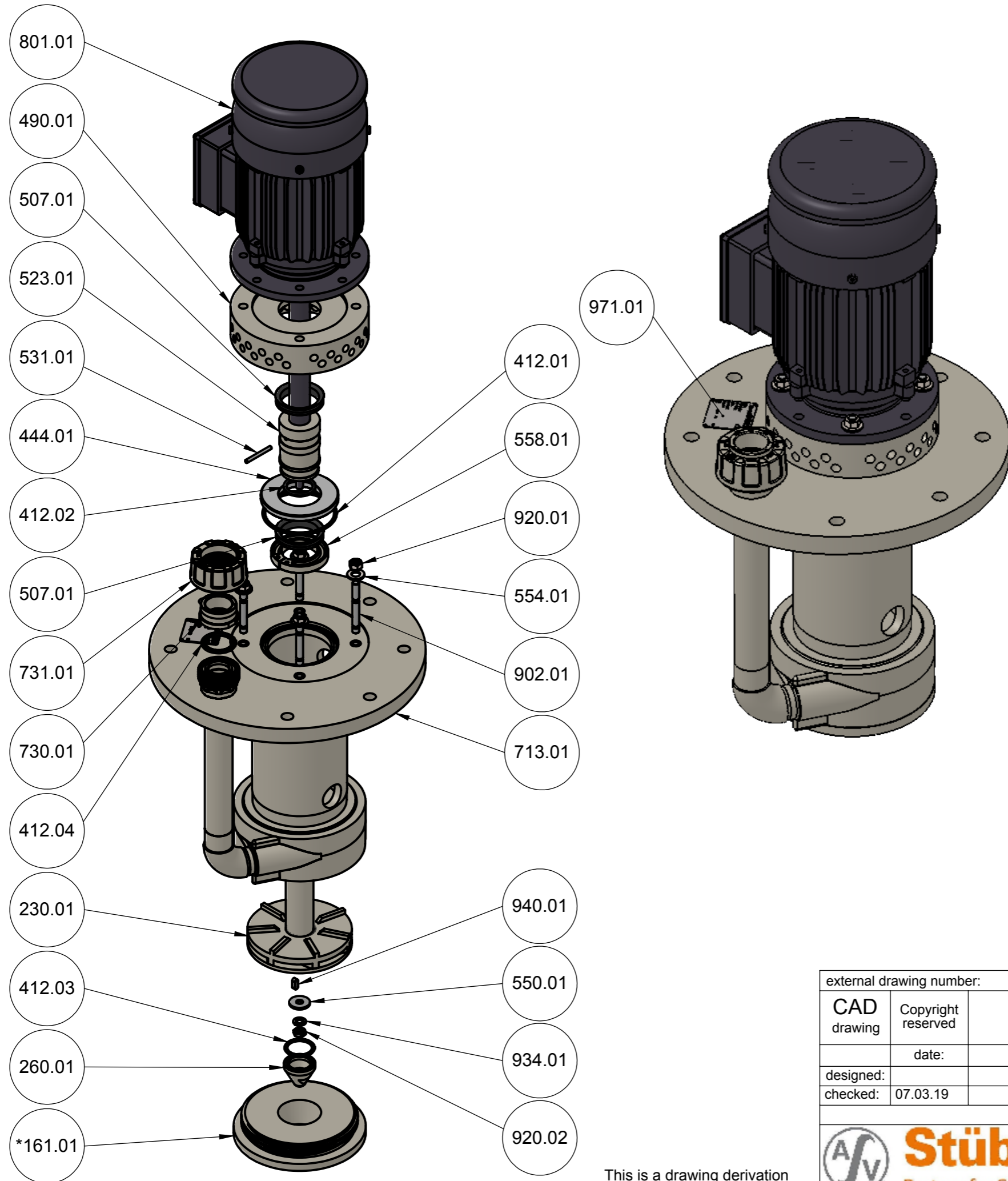
25-125L	
KW	Länge L
0.75	263
1.1	279
1.5	322
2.2	322



*nicht geeignet für Saugsieb
oder Saugrohrverlängerung
not suitable for suction strainer
or suction extension

This is a drawing derivation
of a 3D model. Changes must be
carried out in the 3D model.

external drawing number:										10.116	
CAD drawing	Copyright reserved	date:	name:	part name:		ETLB-S 25-125L					
designed:		checked:	07.03.19								
Stübbe Partner for Solutions		ASV Stübbe GmbH & Co.KG Postfach 1765 D-32591 Vlotho		ident no.:		index:		format:		sheet:	
				168563		b		A2		1	
deduced from:		filename: 168563								2 sheets	



Set	Anzahl	Pos.
Set 1	1	801.01
Set 2	1	554.01 / 902.01 / 920.01
Set 3	1	490.01
Set 4	1	412.01 / 444.01
Set 5	1	713.01
Set 6	1	412.02 / 507.01 / 523.01 / 531.01 / 558.01
Set 7	1	230.01 / 412.02
Set 8	1	260.01 / 412.03 / 550.01 / 920.02 / 934.01 / 940.01
Set 9	1	412.04 / 730.01 / 731.01
*Set 10	1	161.01

*nicht geeignet für Saugsieb
oder Saugrohrverlängerung
not suitable for suction strainer
or suction extension

This is a drawing derivation of a 3D model. Changes must be carried out in the 3D model.

external drawing number:					
CAD drawing	Copyright reserved				10.116
	date:		part name:	ETLB-S 25-125L	
designed:					
checked:	07.03.19				
ASV Stübbe GmbH & Co.KG Postfach 1765 D-32591 Vlotho		ident no.:	index:	format:	sheet:
deduced from:		filename: 168563	168563	b	A3
					2 2 sheets