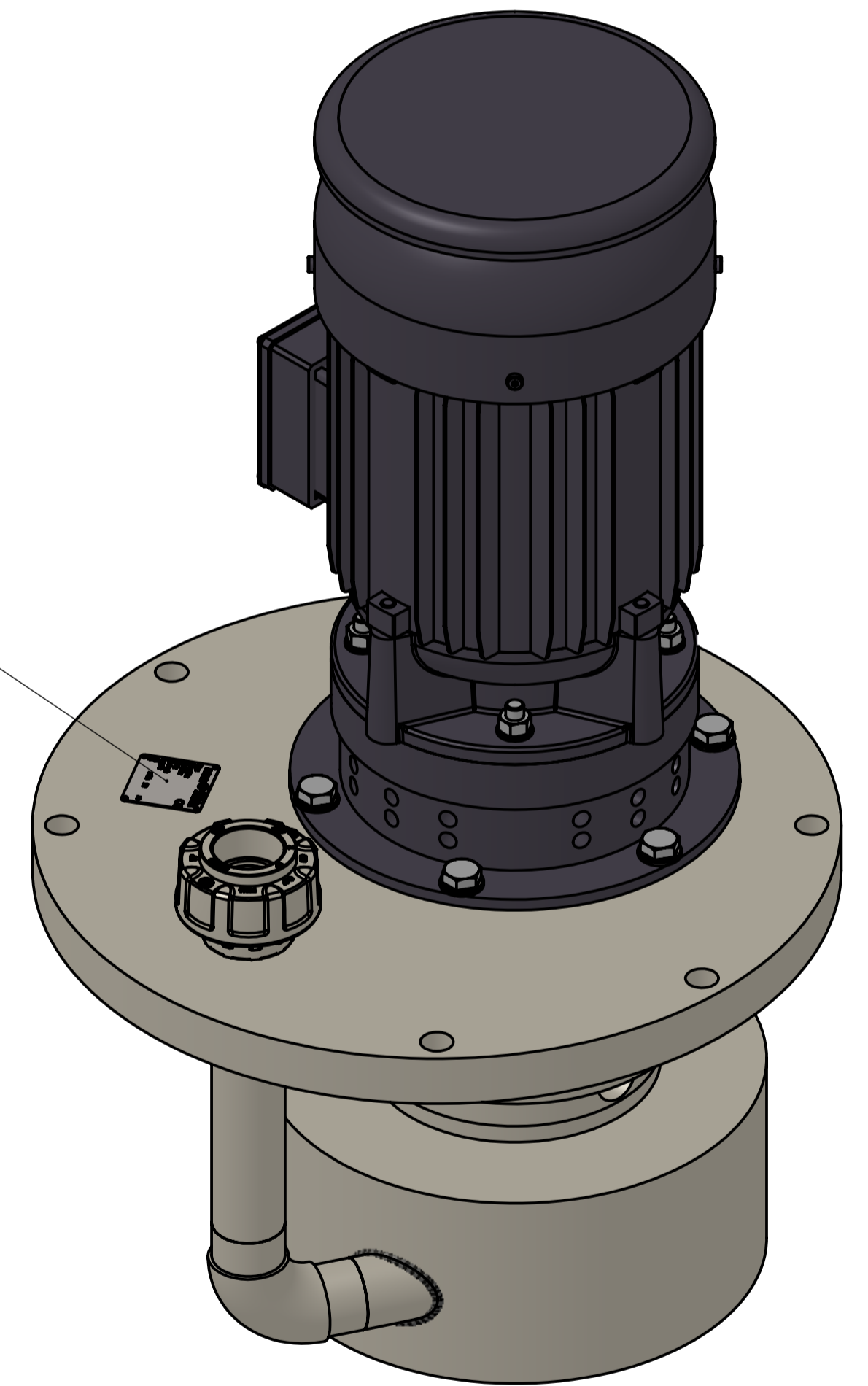
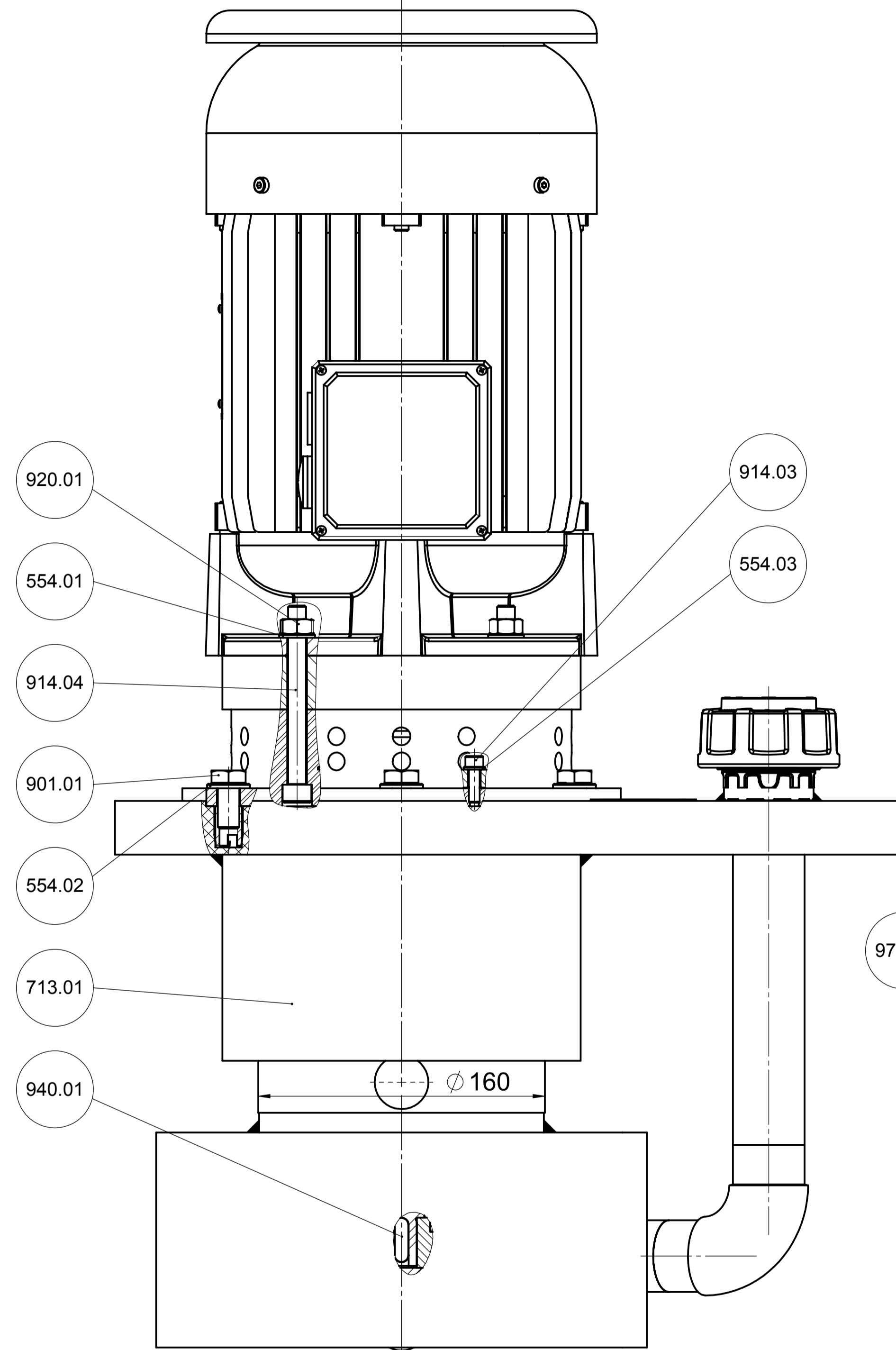
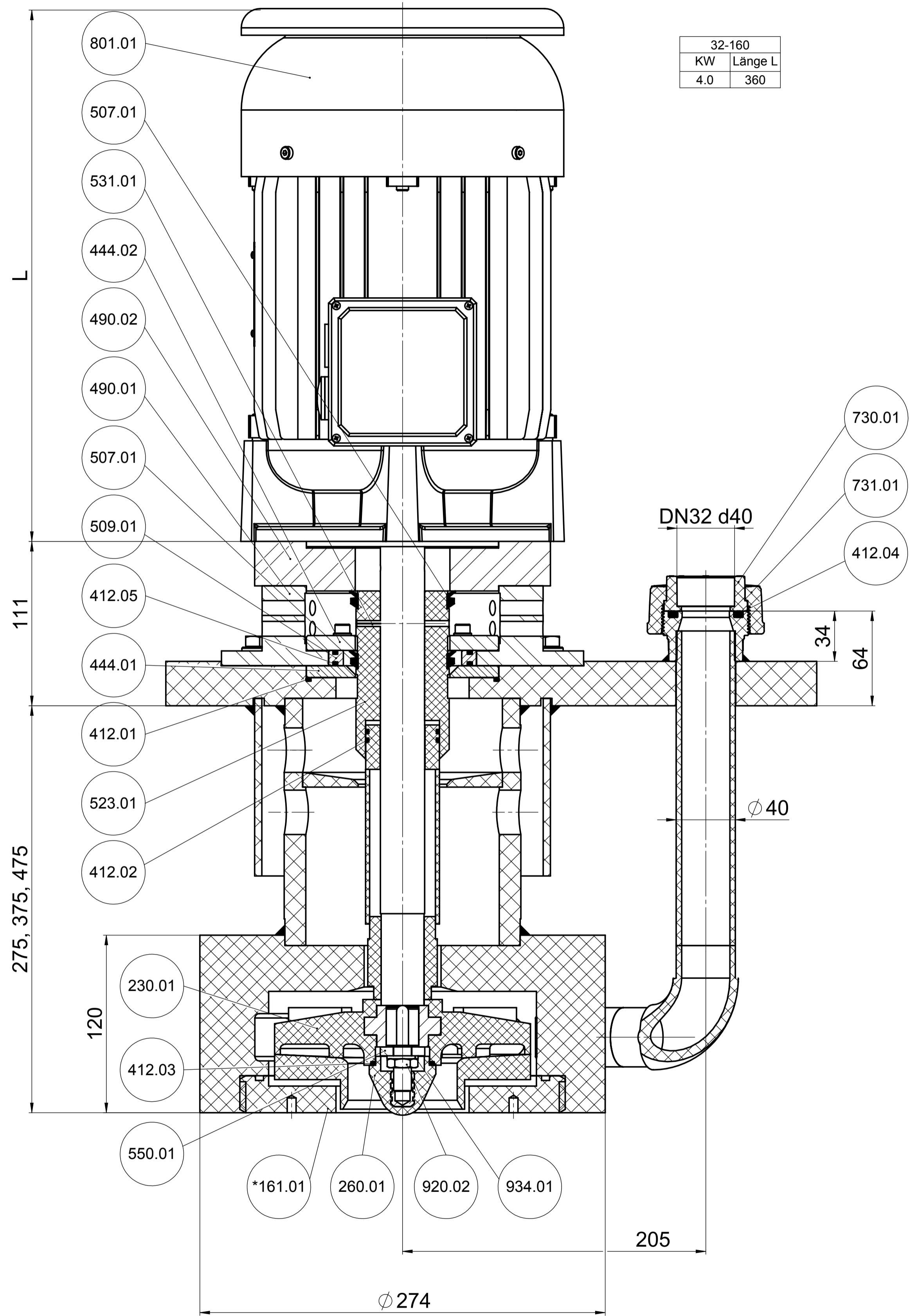


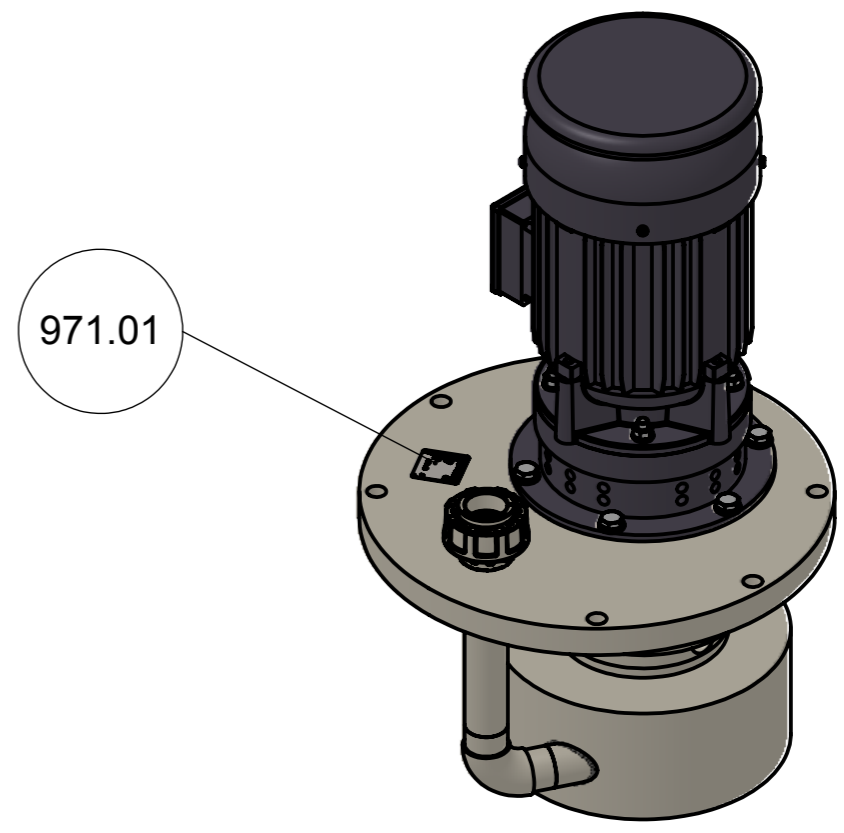
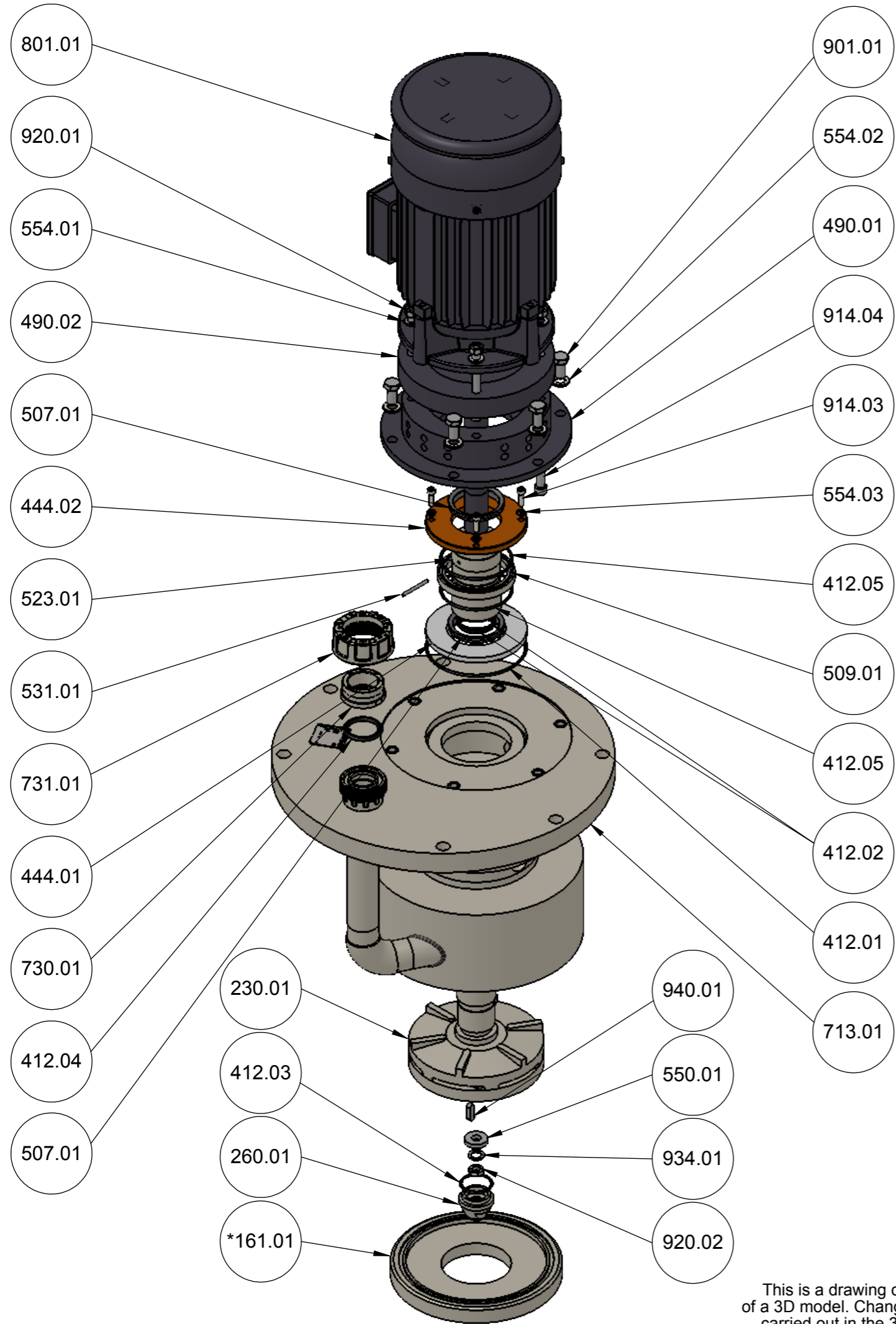
32-160	
KW	Länge L
4.0	360



*nicht geeignet für Saugsieb
oder Saugrohrverlängerung
not suitable for suction strainer
or suction extension

This is a drawing derivation
of a 3D model. Changes must be
carried out in the 3D model.

external drawing number:										31.684
CAD drawing	Copyright reserved	date:	name:	part name:	ETLB-S 32-160 4kW					
designed:		checked:	07.03.19							
Stübbe Partner for Solutions		ASV Stübbe GmbH & Co.KG Postfach 1765 D-32591 Vlotho	ident no.:	168566	index:	b	format:	A1	sheet:	1
deduced from:		filename: ETLB-S 32-160 4kW								



Set	Anzahl	Pos.
Set 1	1	801.01
Set 2	1	554.01 / 914.04 / 920.01
Set 3	1	490.01 / 490.02 / 554.02 / 901.01
Set 4	1	412.01 / 412.05 / 444.01 / 444.02 / 509.01 / 554.03 / 914.03
Set 5	1	713.01
Set 6	1	412.02 / 507.01 / 523.01 / 531.01
Set 7	1	230.01 / 412.02
Set 8	1	260.01 / 412.03 / 550.01 / 920.02 / 934.01 / 940.01
Set 9	1	412.04 / 730.01 / 731.01
*Set 10	1	161.01

*nicht geeignet für Saugsieb
oder Saugrohrverlängerung
not suitable for suction strainer
or suction extension

This is a drawing derivation of a 3D model. Changes must be carried out in the 3D model.

external drawing number:										31.684
CAD drawing	Copyright reserved									
date:				part name:		ETLB-S 32-160 4kW				
designed:										
checked:	07.03.19									
ASV Stübbe GmbH & Co.KG Postfach 1765 D-32591 Vlotho		ident no.:	168566		index:	b		format:	A3	
deduced from:		filename: ETLB-S 32-160 4kW						sheet:	2	
										2 sheets